

ATLANTIC

NEW IP 66 METAL CABINET



ADAPTABLE,
WEATHERPROOF
& ROBUST



→ CATALOGUE PAGES INCLUDED

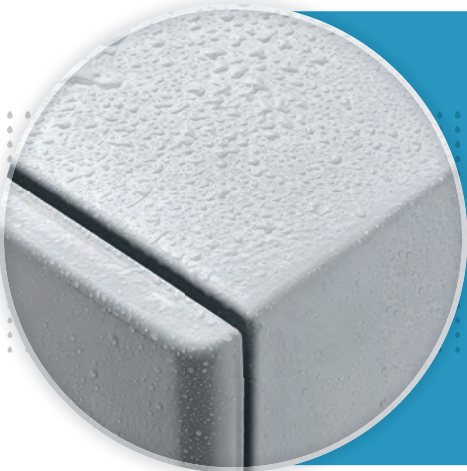
GLOBAL SPECIALIST IN ELECTRICAL
AND DIGITAL BUILDING INFRASTRUCTURES

 **legrand**[®]

Atlantic cabinet

Suitable
for all types
of site

The weatherproof seal and strength of the new range of Atlantic metal cabinets (supplied with plain plate) means they are suitable for use on a wide range of sites.



➤ IP 66 weatherproof cabinets





WEATHERPROOF

IP 66 or IP 55 (for 2-door cabinets),
conforming to IEC/EN 60529

IMPACT RESISTANT

IK 10 conforming to IEC/EN 62262

FINISH

Textured polyester coating (80 µm)
providing excellent resistance to
corrosion and chemicals

DOOR

Plain or glass door

3 VERSIONS :

A wide range of sizes
(51 catalogue numbers in total):



Vertical:

ranging from 300 x 200 x 160 mm
to 1400 x 800 x 400 mm



Square:

ranging from 300 x 300 x 160 mm
to 600 x 600 x 400 mm



Horizontal:

ranging from 300 x 400 x 160 mm
to 1000 x 1200 x 300 mm

APPLICATIONS

Ideal for use on any commercial or industrial site where rugged, weatherproof cabinets are needed and there is no excessive corrosion (office buildings, shopping centres, hotels, workshops, warehouses, outdoor car parks, camp sites, etc.)



Ease of use...

Save
installation
time

Atlantic weatherproof metal cabinets are supplied ready to use with a removable plain plate and cable entry plate (not fitted).
1 catalogue number = 1 complete cabinet.



WEATHERPROOF SEAL

Polyurethane seal for total weatherproofing of the cabinet – IP 66 (or IP 55 for 2-door cabinets).

REVERSIBLE DOOR

Easy to remove, with metal hinges and pins treated with high-performance anti-corrosion coating to provide strength that is guaranteed to last.

Opens to 130° for easier access into the cabinet.

SECTIONED UPRIGHTS

For greater door rigidity.

Also make it easier to mount equipment (Lina rails or perforated ducting) and manage cables.

DOUBLE BAR LOCK

For more effective closing and to ensure a totally weatherproof seal.

Cabinet supplied with double bar key. Other types of barrel or insert are available as options.





REMOVABLE PLAIN PLATE (SUPPLIED WITH THE CABINET*)

Provides maximum usable space and makes it easier to fix equipment directly.

Can be replaced by ready to use chassis or perforated plates.

The cabinet can be equipped with runners to adjust the usable depth.

*Not fitted.



REMOVABLE CABLE ENTRY PLATE

With polyurethane seals to make it fully weatherproof. Aligned with the base of the cabinet for a high-quality finish.

Can be equipped with cable glands or replaced by a Cabstop plate to optimise cable entry, which helps save a great deal of installation time and provides good tensile resistance.



➤ Cabstop plate

...Modularity

Scalable and multi-use

Atlantic metal enclosures can be equipped with a wide range of accessories to meet your site requirements, simplify your work and save you time.



METAL INTERNAL DOORS

For mounting directly in Atlantic cabinets. Also available in an insulated version.

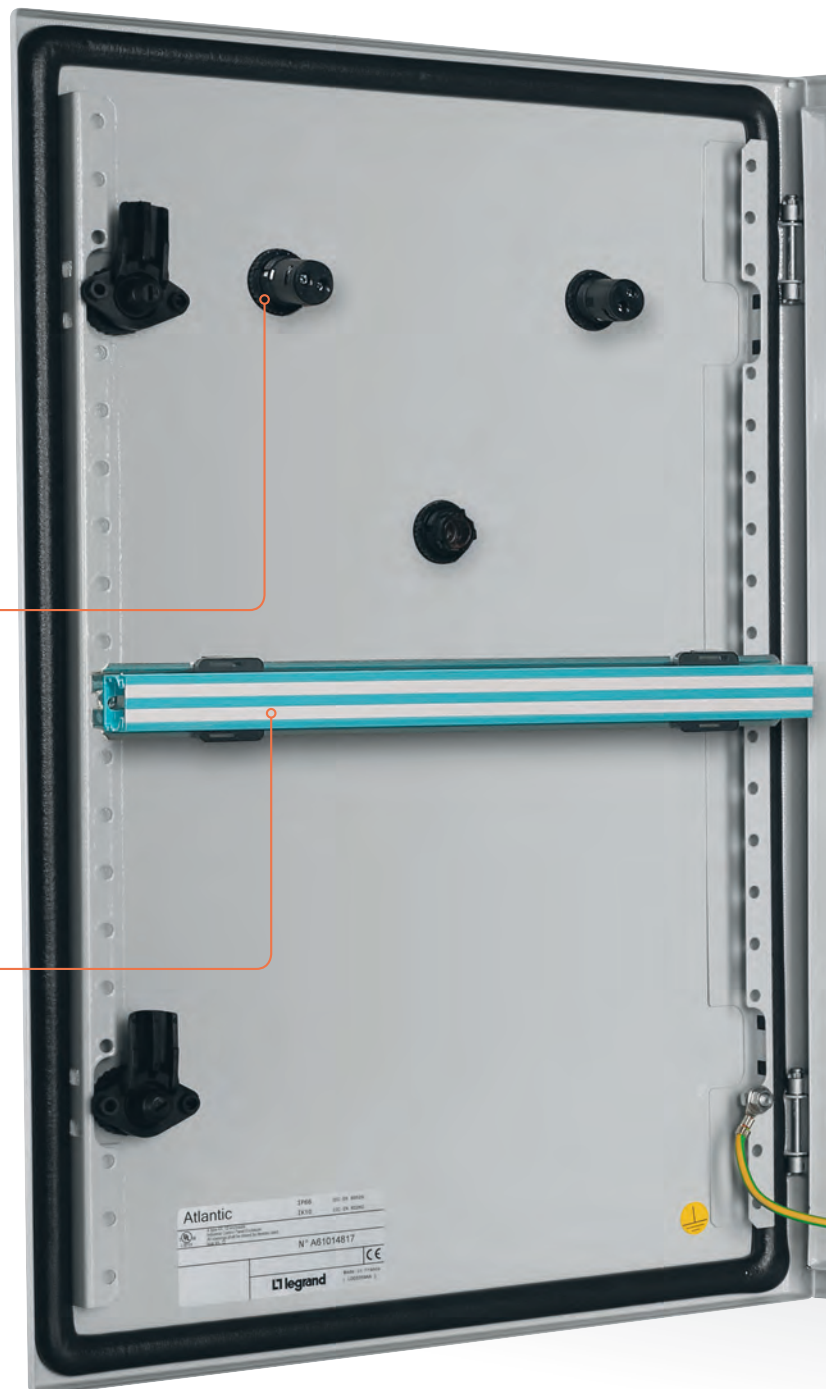
OSMOZ CONTROL AND SIGNALLING UNITS

Control and signalling functions can be easily incorporated into the cabinet.

LINA 25 DUCTING

Perforated ducting for cable management and protection.

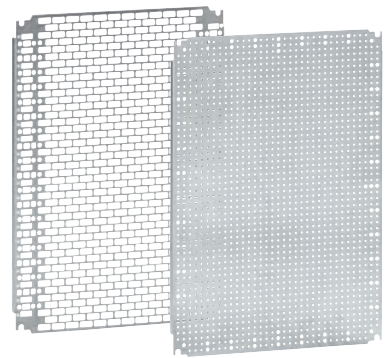
Linafix accessories can be used to fix cables to the door, sectioned uprights or plates (plain or perforated) and help save a considerable amount of installation time.





WALL MOUNTING LUGS

Set of 4 mounting lugs.
Capacity up to 300 kg
(to be ordered separately).



LINA 25 OR 12.5 PERFORATED PLATES

For direct fixing (in place of the plain plate supplied with the cabinet) for even quicker and easier equipment integration.

MODULAR CHASSIS

Ready to use chassis complete with uprights, rails and faceplates, for quick integration of modular equipment and a high-quality finish.

Also enables Viking 3 terminal blocks to be installed.

Atlantic stainless steel

Suitable
for harsh
environments

The stainless steel and food industry grade stainless steel ranges of Atlantic cabinets have **excellent resistance to corrosion and chemicals**, making them the ideal solution for environments with strict hygiene requirements.



ADVANTAGES

- > IP 66 weatherproof cabinets conforming to IEC/EN 60529
- > IK 10 conforming to IEC/EN 62262
- > Solid or glass door
- > Sizes ranging from 300x200x160 mm to 1400x800x400 mm
- > Finish: 304 L stainless steel (316 L stainless steel available on request)
- > Solution adapted to harsh environments (suitable for food processing, pharmaceutical, chemical, water treatment industries, etc.)
- > Dedicated accessories (stainless steel wall mounting lugs) or accessories common to the whole Atlantic metal range



& special food industry grade stainless steel



ADVANTAGES

- > IP 66 and IP 69 conforming to IEC/EN 60529
- > IK 10 conforming to IEC/EN 62262
- > Vertical version, 1 door
- > Sizes ranging from 400 x 300 x 200 mm to 1000 x 800 x 300 mm
- > Finish: 304 L stainless steel
- > Atlantic stainless steel food industry cabinets have a brushed finish which is ideal for this type of environment where there are strict hygiene requirements. **Their shape and design facilitate cleaning and prevent the build up of dust** (no inaccessible areas)
- > **Special design features for the food industry:**
 - inclined roof (30° angle)
 - blue silicone seals to identify it as a dedicated food cabinet
 - special food industry standard lock
 - wall-spacer brackets and stainless steel feet for easy cleaning access around the cabinet
- > **Common accessories** with the other Atlantic cabinets ranges



Atlantic, Atlantic stainless steel, Atlantic food industry cabinets and equipment selection chart

| EXTERNAL DIMENSIONS | | | | ATLANTIC CABINETS (p. 10) | ATLANTIC STAINLESS STEEL CABINETS (p. 14) | ATLANTIC FOOD INDUSTRY CABINETS (p. 15) | |
|---------------------|--------|--------|-------------------------|--|---|---|----------|
| | | | | METAL IP 66 - IK 10 (1 door) IP 55 - IK 10 (2 doors) supplied with plain plate RAL 7035 RAL 7035 with glass door | STAINLESS STEEL 304L IP 66 - IK 10 (1 door) IP 55 - IK 10 (2 doors) 304L 304L with glass door | STAINLESS STEEL 304L - IP 66 IP 69 IK 10 | |
| Shapes | H (mm) | W (mm) | D (mm) | | | | |
| | 300 | 200 | 160 | 0 369 10 ⁽¹⁾ | | 0 352 00 ³ | |
| | 400 | 300 | 160 | 0 369 12 ⁽¹⁾ | | | |
| | 500 | 400 | 160 | 0 369 13 ⁽¹⁾ | | | |
| | 400 | 300 | 200 | 0 369 17 | 0 369 27 | 0 352 01 0 352 21 | 0 352 34 |
| | 500 | 400 | 200 | 0 369 18 | 0 369 28 | 0 352 02 0 352 22 | |
| | 600 | 400 | 200 | 0 369 19 | 0 369 29 | 0 352 03 0 352 24 | |
| | 600 | 500 | 200 | 0 369 20 | | | |
| | 700 | 500 | 200 | 0 369 21 | | | |
| | 500 | 400 | 250 | 0 369 25 | | | |
| | 600 | 400 | 250 | 0 369 26 | 0 369 36 | 0 352 05 0 352 25 | 0 352 36 |
| | 700 | 500 | 250 | 0 369 30 | 0 369 40 | 0 352 06 0 352 26 | |
| | 800 | 600 | 250 | 0 369 31 | 0 369 41 | | |
| | 1000 | 600 | 250 | 0 369 32 | | | |
| | 1000 | 800 | 250 | 0 369 33 | | | |
| | 800 | 600 | 300 | 0 369 37 | 0 369 47 | 0 352 11 0 352 31 | 0 352 38 |
| | 1000 | 600 | 300 | 0 369 38 | 0 369 48 | | |
| | 1000 | 800 | 300 | 0 369 39 | 0 369 49 | 0 352 13 0 352 33 | 0 352 39 |
| | 1200 | 600 | 300 | 0 369 42 | | | |
| | 1200 | 800 | 300 | 0 369 43 | | 0 352 14 0 352 76 | |
| | 800 | 600 | 400 | 0 369 44 | | | |
| 1000 | 800 | 400 | 0 369 45 | | | | |
| 1200 | 800 | 400 | 0 369 46 | 0 369 56 | | | |
| 1400 | 800 | 400 | 0 369 50 | 0 369 60 | | | |
| | 300 | 300 | 160 | 0 369 51 ⁽¹⁾ | | | |
| | 300 | 300 | 200 | 0 369 55 | | | |
| | 400 | 400 | 200 | 0 369 57 | | | |
| | 500 | 500 | 200 | 0 369 59 | | | |
| | 500 | 500 | 250 | 0 369 62 | | 0 352 55 0 352 75 | |
| | 600 | 600 | 250 | 0 369 64 | 0 369 74 | | |
| | 800 | 800 | 300 | 0 369 68 | | | |
| | 600 | 600 | 400 | 0 369 72 | | | |
| | 300 | 400 | 160 | 0 369 11 ⁽¹⁾ | | | |
| | 300 | 400 | 200 | 0 369 75 | | | |
| | 400 | 600 | 200 | 0 369 76 | | | |
| | 400 | 600 | 250 | 0 369 77 | | | |
| | 600 | 800 | 300 | 0 369 78 ⁽²⁾ | | | |
| | 600 | 1000 | 300 | 0 369 79 ⁽²⁾ | | | |
| 800 | 1000 | 300 | 0 369 80 ⁽²⁾ | | | | |
| 1000 | 1200 | 300 | 0 369 81 ⁽²⁾ | | | | |

1: Without cable entries plate - 2: 2 doors - 3: Supplied with plain plate - 4: Usable area: 800 x 640 mm - 5: Crosspieces to be cut (2 m height) can be used for cabinets width 1000 and 1200 (see p. 18)

| EQUIPMENT (p. 16) | | | | | | | | | | | |
|--|--|--|----------------------------|-------------------|---------------------------|----------------------------|---|---|---|--|--|
| Plain plates | Lina 12.5 plates | Perforated plates Lina 25 | Sectioned uprights Lina 25 | Crosspieces rails | Insulated modular chassis | Metal internal doors | Insulating internal doors (+ Cat.No 0 363 69 for mounting on Atlantic metal cabinets) | Roofs | Plinths | IP 55 Cabstop plate Direct mounting on Atlantic cabinet opening ⁽⁶⁾ | |
| | | | | | | | | | | | |
| 0 360 49 ^(M) 0 360 50 ^(A) | 0 360 00 ^(A) 0 360 01 ^(M) | 0 360 07 ^(A) 0 360 99 ^(M) | 0 361 50 ^(A) | | | | | | | | |
| 0 360 52 | 0 360 04 | 0 360 12 | 0 361 51 | 0 367 80 | | 0 363 15 ^(A) | 0 363 59 ^{(A)(M)} | | | | |
| 0 360 55 | 0 360 09 | 0 360 15 | 0 361 52 | 0 367 81 | | 0 363 16 ^(A) | 0 363 60 ^(A) | | | | |
| 0 360 52 | 0 360 04 | 0 360 12 | 0 361 51 | 0 367 80 | 0 361 01 ⁽⁷⁾ | 0 363 15 ^{(A)(7)} | 0 363 59 ^{(A)(M)(7)} | 0 365 51 ^{(A)(7)} | | 0 364 94 | |
| 0 360 55 | 0 360 09 | 0 360 15 | 0 361 52 | 0 367 81 | 0 361 02 | 0 363 16 ^(A) | 0 363 60 ^{(A)(M)} | 0 365 52 ^(A) | | 0 364 95 | |
| 0 360 56 | 0 360 22 | 0 360 16 | 0 361 53 | 0 367 81 | | 0 363 17 ^(A) | 0 363 61 ^{(A)(M)} | 0 365 52 ^(A) | | 0 364 95 | |
| 0 360 84 | | | 0 361 53 | 0 367 82 | | | | 0 365 67 ^(A) | | 0 364 95 | |
| 0 360 58 | 0 360 31 | 0 360 18 | 0 361 54 | 0 367 82 | | 0 363 18 ^(A) | 0 363 62 ^{(A)(M)} | 0 365 67 ^(A) | | 0 364 95 | |
| 0 360 55 | 0 360 09 | 0 360 55 | 0 361 52 | 0 367 81 | | 0 363 16 ^(A) | 0 363 60 ^{(A)(M)} | 0 365 53 ^{(A)(7)} | | 0 364 95 | |
| 0 360 56 | 0 360 22 | 0 360 16 | 0 361 53 | 0 367 81 | 0 361 03 ⁽⁷⁾ | 0 363 17 ^(A) | 0 363 61 ^{(A)(M)(6)} | 0 365 53 ^{(A)(7)} | | 0 364 95 | |
| 0 360 58 | 0 360 31 | 0 360 18 | 0 361 54 | 0 367 82 | 0 361 05 | 0 363 18 ^(A) | 0 363 62 ^{(A)(M)} | 0 362 93 ^(M) 0 365 64 ^(A) | | 0 364 96 | |
| 0 360 59 | 0 360 33 | 0 360 19 | 0 361 55 | 0 367 83 | | 0 363 19 ^(A) | 0 363 63 ^{(A)(M)} | 0 365 54 ^(A) | | 0 364 97 | |
| 0 360 54 | 0 360 40 | 0 360 23 | 0 361 56 | 0 367 83 | | 0 363 20 ^(A) | | 0 365 54 ^(A) | | 0 364 97 | |
| 0 360 61 | 0 360 42 | 0 360 21 | 0 361 56 | 0 367 84 | | 0 363 21 ^(A) | 0 363 63 ^{(A)(M)} | | | 0 364 97 | |
| 0 360 59 | 0 360 33 | 0 360 19 | 0 361 55 | 0 367 83 | 0 361 06 ⁽⁷⁾ | 0 363 19 ^(A) | 0 363 63 ^{(A)(M)(7)} | 0 362 94 ^(M) 0 365 56 ^{(A)(7)} | 0 362 91 ^(M) 0 363 00 ^{(A)(7)} | 0 364 97 | |
| 0 360 54 | 0 360 40 | 0 360 23 | 0 361 56 | 0 367 83 | | 0 363 20 ^(A) | | 0 365 56 ^(A) | 0 363 00 ⁽⁷⁾ | 0 364 97 | |
| 0 360 61 | 0 360 42 | 0 360 21 | 0 361 56 | 0 367 84 | 0 361 09 ⁽⁷⁾ | 0 363 21 ^(A) | 0 363 64 ^{(A)(M)(7)} | 0 362 95 ^(M) 0 365 57 ^{(A)(7)} | 0 362 92 ^(M) 0 363 01 ⁽⁷⁾ | 0 364 97 | |
| 0 360 85 | | | 0 361 58 | 0 367 83 | | 0 363 22 ^(A) | | | 0 363 00 | 0 364 97 | |
| 0 360 64 | 0 360 46 | 0 360 87 | 0 361 58 | 0 367 84 | 0 361 10 | 0 363 23 ^(A) | 0 363 65 ^{(A)(M)} | 0 362 95 ^(M) 0 365 57 ^(A) | 0 362 92 0 363 01 | 0 364 97 | |
| 0 360 59 | 0 360 33 | 0 360 19 | 0 361 55 | 0 367 83 | | 0 363 19 ^(A) | 0 363 63 ^{(A)(M)} | 0 365 56 ^(A) | | 0 364 97 | |
| 0 360 61 | 0 360 42 | 0 360 21 | 0 361 56 | 0 367 84 | | 0 363 21 ^(A) | 0 363 63 ^{(A)(M)} | | | 0 364 97 | |
| 0 360 64 | 0 360 46 | 0 360 87 | 0 361 58 | 0 367 84 | | 0 363 23 ^(A) | 0 363 65 ^{(A)(M)(4)} | | | 0 364 97 | |
| 0 360 67 | 0 360 75 | 0 360 90 | 0 361 59 | 0 367 84 | | | | | | 0 364 97 | |
| 0 360 69 | 0 360 02 | 0 360 91 | 0 361 50 | 0 367 80 | | | | | | | |
| 0 360 69 | 0 360 02 | 0 360 91 | 0 361 50 | 0 367 80 | | | | 0 365 51 ^(A) | | 0 364 94 | |
| 0 360 70 | 0 360 05 | 0 360 92 | 0 361 51 | 0 367 81 | | | | 0 365 52 ^(A) | | 0 364 95 | |
| 0 360 71 | 0 360 14 | 0 360 93 | 0 361 52 | 0 367 82 | | | | 0 365 67 ^(A) | | 0 364 95 | |
| 0 360 71 | 0 360 14 | 0 360 93 | 0 361 52 | 0 367 82 | | | | 0 365 64 | | 0 364 96 | |
| 0 360 57 | 0 360 24 | 0 360 17 | 0 361 53 | 0 367 83 | | | | 0 365 54 ^(A) | | 0 364 97 | |
| 0 360 60 | 0 360 34 | 0 360 20 | 0 361 55 | 0 367 84 | | | | 0 365 57 ^(A) | 0 363 01 | 0 364 97 | |
| 0 360 57 | 0 360 24 | 0 360 17 | 0 361 53 | 0 367 83 | | | | | | 0 364 97 | |
| 0 360 52 | 0 360 04 | 0 360 11 | 0 361 50 | 0 367 81 | | | | | | | |
| 0 360 52 | 0 360 04 | 0 360 11 | 0 361 50 | 0 367 81 | | | | 0 365 52 ^(A) | | 0 364 95 | |
| 0 360 56 | 0 360 22 | 0 360 13 | 0 361 51 | 0 367 83 | | | | 0 365 68 ^(A) | | 0 364 95 | |
| 0 360 56 | 0 360 22 | 0 360 13 | 0 361 51 | 0 367 83 | | | | 0 365 54 ^(A) | | 0 364 97 | |
| 0 360 59 | 0 360 33 | 0 360 06 | 0 361 53 | 0 367 84 | | | | 0 365 57 ^(A) | 0 363 01 | 0 364 97 | |
| 0 360 54 | 0 360 40 | 0 360 08 | 0 361 53 | ⁽⁵⁾ | | | | | | 2 x 0 364 96 | |
| 0 360 61 | 0 360 42 | 0 360 94 | 0 361 55 | ⁽⁵⁾ | | | | | | 2 x 0 364 96 | |
| 0 360 65 | 0 360 47 | 0 360 10 | 0 361 56 | ⁽⁵⁾ | | | | | | 2 x 0 364 97 | |

ADDITIONAL PRODUCTS

Accessories for Atlantic food industry cabinets
(p. 15)

Hinged glass doors
(p. 18)

Kit Cat.No 0 364 98 for mounting Cabstop plate on plain surface
(p. 11)

Document holders
(p. 18)

19" wall mounting chassis
(p. 18)

Locking accessories
(p. 20)

6: Use kit Cat.No 0 364 98 (p. 11) for direct mounting on Marina cabinets - 7: Except for Atlantic food industry cabinets - (A) For Atlantic - (M) For Marina

Atlantic metal cabinets supplied with plain plate

IP 55/IP 66 - IK 10 - Type 4x - Type 12



0 369 19



0 369 28



0 369 79



0 355 53

Cabinet and equipment selection chart **p. 8-9**
 Technical characteristics **p. 12**

IP 66 according to standards IEC EN 60529 for 1-door cabinets - IP 55 according to standards IEC EN 60529 for 2-door cabinets
 IK 10 according to standards IEC EN 62262

LCIE 17 07 90 10A

Type 4x, 1 door, Type 12, 2 doors - cULus, Bureau Veritas

EMC attenuation 20 dB (for an EMC attenuation from 40 to 50 dB at 1 GHz, please consult us)

Excellent resistance to corrosion and chemical agents

80 µm thick textured polyester coating. Anti-corrosion treatment for hinges and pins

Reversible door - Fitted with lever

Supplied with plain plate - Double bar lock - Self-centering positioning system for the equipment

Compatible with all Atlantic accessories

Low cable entries RAL 7035 - Optional depth adjustment for cabinets 400 mm depth, with slide rails Cat.No 0 367 45 (p. 11)

| Pack | Cat.Nos | | Metal cabinets | | |
|------|-----------------------|------------|--|-----------------|-------------|
| | | | Vertical version | | |
| | Metal door | Glass door | External dimensions (mm) Height x Width x Depth | Number of doors | Weight (kg) |
| 1 | 0 369 10 ¹ | | 300 x 200 x 160 | 1 | 3.9 |
| 1 | 0 369 12 ¹ | | 400 x 300 x 160 | 1 | 6.3 |
| 1 | 0 369 13 | | 500 x 400 x 160 | 1 | 10.3 |
| 1 | 0 369 17 | 0 369 27 | 400 x 300 x 200 | 1 | 6.9 |
| 1 | 0 369 18 | 0 369 28 | 500 x 400 x 200 | 1 | 11.2 |
| 1 | 0 369 19 | 0 369 29 | 600 x 400 x 200 | 1 | 13 |
| 1 | 0 369 20 | | 600 x 500 x 200 | 1 | 16.8 |
| 1 | 0 369 21 | | 700 x 500 x 200 | 1 | 20.3 |
| 1 | 0 369 25 | | 500 x 400 x 250 | 1 | 13.2 |
| 1 | 0 369 26 | 0 369 36 | 600 x 400 x 250 | 1 | 14 |
| 1 | 0 369 30 | 0 369 40 | 700 x 500 x 250 | 1 | 23.8 |
| 1 | 0 369 31 | 0 369 41 | 800 x 600 x 250 | 1 | 30.9 |
| 1 | 0 369 32 | | 1000 x 600 x 250 | 1 | 44.5 |
| 1 | 0 369 33 | | 1000 x 800 x 250 | 1 | 49.5 |
| 1 | 0 369 37 | 0 369 47 | 800 x 600 x 300 | 1 | 32 |
| 1 | 0 369 38 | 0 369 48 | 1000 x 600 x 300 | 1 | 45 |
| 1 | 0 369 39 | 0 369 49 | 1000 x 800 x 300 | 1 | 56.9 |
| 1 | 0 369 42 | | 1200 x 600 x 300 | 1 | 50.4 |
| 1 | 0 369 43 | | 1200 x 800 x 300 | 1 | 67 |
| 1 | 0 369 44 | | 800 x 600 x 400 | 1 | 41.6 |
| 1 | 0 369 45 | | 1000 x 800 x 400 | 1 | 63.5 |
| 1 | 0 369 46 | 0 369 56 | 1200 x 800 x 400 | 1 | 73.6 |
| 1 | 0 369 50 | 0 369 60 | 1400 x 800 x 400 | 1 | 81.6 |
| | | | Square version | | |
| 1 | 0 369 51 ¹ | | 300 x 300 x 160 | 1 | 4.8 |
| 1 | 0 369 55 | | 300 x 300 x 200 | 1 | 5.6 |
| 1 | 0 369 57 | | 400 x 400 x 200 | 1 | 8.7 |
| 1 | 0 369 59 | | 500 x 500 x 200 | 1 | 13.6 |
| 1 | 0 369 62 | | 500 x 500 x 250 | 1 | 15.2 |
| 1 | 0 369 64 | 0 369 74 | 600 x 600 x 250 | 1 | 22.8 |
| 1 | 0 369 68 | | 800 x 800 x 300 | 1 | 48 |
| 1 | 0 369 72 | | 600 x 600 x 400 | 1 | 33.5 |
| | | | Horizontal version | | |
| 1 | 0 369 11 ¹ | | 300 x 400 x 160 | 1 | 6.2 |
| 1 | 0 369 75 | | 300 x 400 x 200 | 1 | 6.9 |
| 1 | 0 369 76 | | 400 x 600 x 200 | 1 | 13 |
| 1 | 0 369 77 | | 400 x 600 x 250 | 1 | 14 |
| 1 | 0 369 78 | | 600 x 800 x 300 | 2 | 38.4 |
| 1 | 0 369 79 | | 600 x 1000 x 300 | 2 | 47.4 |
| 1 | 0 369 80 | | 800 x 1000 x 300 | 2 | 59.7 |
| 1 | 0 369 81 | | 1000 x 1200 x 300 | 2 | 85.7 |

| Pack | Cat.Nos | Roofs RAL 7035 | | |
|------|----------|--|------------|-------------|
| | | Steel | | |
| | | Possible adjustment ± 20 mm (front or back) | | |
| | | For cabinets | | |
| | | Width (mm) | Depth (mm) | Weight (kg) |
| 1 | 0 365 51 | 300 | 200 | 1.2 |
| 1 | 0 365 52 | 400 | 200 | 1.4 |
| 1 | 0 365 67 | 500 | 200 | 1.8 |
| 1 | 0 365 68 | 600 | 200 | 2.1 |
| 1 | 0 365 53 | 400 | 250 | 1.8 |
| 1 | 0 365 64 | 500 | 250 | 2 |
| 1 | 0 365 54 | 600 | 250 | 2.5 |
| 1 | 0 365 56 | 600 | 300 | 3 |
| 1 | 0 365 57 | 800 | 300 | 3.6 |
| | | Lighting kit | | |
| 1 | 0 363 12 | Supplied with 8 W fluorescent tube, Ø16 mm 230 V - 50 Hz Class I - IP 20 - 600 lumens Electromagnetic compatibility according to EN 55015 Equipped with a switch Connection on terminal block Dim.: 320 x 61 x 32 mm | | |
| | | Plinths RAL 7021 | | |
| | | Height 200 mm Front and rear trap door | | |
| | | For cabinets | | |
| | | Width (mm) | Depth (mm) | Weight (kg) |
| 1 | 0 363 00 | 600 | 300 | 6 |
| 1 | 0 363 01 | 800 | 300 | 6.7 |

1: With no opening

Door contact
p. 18

Lina 12.5 and Lina 25 perforated plates, **p. 16**



Equipment for Atlantic metal cabinets



0 363 17



Cabstop plate Cat.No 0 364 96 and mounting kit
Cat.No 0 364 98 on enclosure Cat.No 0 369 43



0 367 35 with rail Cat.No 0 367 82
(p. 16)



0 347 95



Touch-up brush 0 365 91



0 364 01



0 329 47



0 329 46



0 364 04

Cabinet and equipment selection chart **p. 8-9**
Technical characteristics **p. 12**

| Pack | Cat.Nos | Metallic internal doors | | | |
|------|----------|--|-----------------------------------|---|--|
| | | Metallic internal doors RAL 7035 For direct mounting in Atlantic metal and stainless steel cabinets IPXXB Reversible door with captiv hinge pins Double bar lock Can be equipped with other key barrels and metal rebate locks. Distance between cabinet door and internal door: 55 mm | | | |
| | | For cabinets (mm) Height x Width | Dimensions (mm) Height x Width | Usable dimensions (mm) Height x Width | |
| 1 | 0 363 15 | 400 x 300 | 334 x 248 | 235 x 155 | |
| 1 | 0 363 16 | 500 x 400 | 434 x 348 | 335 x 255 | |
| 1 | 0 363 17 | 600 x 400 | 534 x 348 | 435 x 255 | |
| 1 | 0 363 18 | 700 x 500 | 634 x 448 | 535 x 355 | |
| 1 | 0 363 19 | 800 x 600 | 734 x 548 | 635 x 455 | |
| 1 | 0 363 20 | 1000 x 600 | 934 x 548 | 835 x 455 | |
| 1 | 0 363 21 | 1000 x 800 | 934 x 748 | 835 x 655 | |
| 1 | 0 363 22 | 1200 x 600 | 1134 x 548 | 1035 x 555 | |
| 1 | 0 363 23 | 1200 x 800 | 1134 x 748 | 1035 x 655 | |
| | | Cabstop open-work plate IP 55 Cable entries consisting of a cable clamp providing the mechanical grip, and elastomer areas for weatherproofing Can be pierced using the cable (no tool required) Fits the cable perfectly Replacement of a cable possible Fire retardant polypropylene RAL 7035 2 possibilities of mounting: - direct on cable entry of Atlantic or Marina cabinets - on flat surface with kit Cat.No 0 364 98 Supplied with: - locking caps for sealing a pierced entry providing IP 55 protection - cable release tool | | | |
| | | Number of entries Ø5 to 14 | Number of entries Ø14 to 24 | Number of spare entries | Direct mounting on cable entry of cabinet width (mm) |
| 1 | 0 364 94 | 13 | 1 | - | 300 |
| 1 | 0 364 95 | 13 | 1 | 1 | 400 |
| 1 | 0 364 96 | 28 | 2 | 1 | 500-1000 |
| 1 | 0 364 97 | 28 | 2 | 2 | 600-800-1200 |
| 1 | 0 364 98 | Kit for mounting Cabstop plate on plain plate Enables mounting of 2 Cabstop plates: Cat.Nos 0 364 94 or 95 and 0 364 96 or 97 IP 55 maintained | | | |

| Pack | Cat.Nos | Cable entries for Atlantic cabinets 600 or 800 mm width | | |
|------|----------|---|---------------------|-----------------|
| 1 | 0 329 46 | IP 43 cable entry plate with brush (cable feed-through 385 x 30 mm) | | |
| 1 | 0 329 47 | IP 55 multi-entry cable entry plate with cable glands Supplied with 12 ISO 32 cable glands The cable glands take 4 UTP/FTP/SFTP cables (Ø6.5 to 9.5 mm) per cable gland Cords with connectors can be fed through without having to dismantle the cable gland Usable interior Ø25.5 mm Supplied with blanking plates for unused entries | | |
| | | Protective conductor Earth braid | | |
| | | Capacity (mm ²) | Fixing spacing (mm) | Ø of holes (mm) |
| 20 | 0 347 95 | 6 | 200 | 8.5 |
| 20 | 0 347 96 | 16 | 200 | 8.5 |
| 10 | 0 347 97 | 30 | 200 | 8.5 |
| 20 | 0 363 95 | 6 | 200 | 6.5 |
| | | Green/yellow wire | | |
| | | Paint touch-up Aerosol paint spray RAL 7035 Touch-up brush For protecting the sheet metal after cutting Anti-corrosion paint RAL 7035 Other colours on request | | |
| 1 | 0 365 97 | | | |
| 10 | 0 365 91 | | | |
| 10 | 0 395 99 | Temporary marking Water-soluble marker pen | | |
| | | Accessories Set of 4 slide rails for depth adjustment For 250 mm depth cabinets (starting with 600 mm width x 600 mm height cabinets) | | |
| 1 | 0 367 43 | | | |
| 1 | 0 367 44 | | | |
| 1 | 0 367 45 | | | |
| 1 | 0 364 01 | Wall-mounting lugs (set of 4) For load up to 300 kg Horizontal or vertical installation With a roof, horizontal installation only Zamak RAL 7035 Supplied with cover finish | | |
| 1 | 0 364 04 | For load up to 300 kg Horizontal or vertical installation Anti-corrosion steel treatment | | |
| 5 | 0 367 35 | Set of 2 attachment lugs for rail Supplied with M6 screws Used to attach the 15 mm depth symmetric rail on door profile strand-holder | | |

Atlantic metal cabinets supplied with plain plate

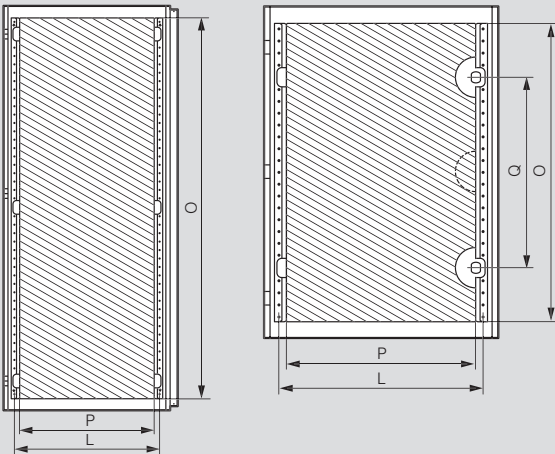
IP 55/IP 66 - IK 10 - Type 4x - Type 12

Usable dimensions

Doors

2 doors

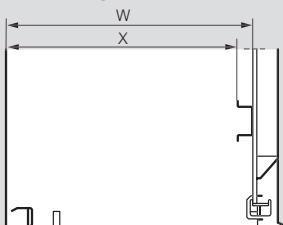
1 door



| Cat.Nos | Cabinets | | Door usable dimensions | | Lock positions Q (mm) | Strand-holder fixing centres L (mm) |
|----------------------|-------------|------------|------------------------|--------------------|--------------------------|--|
| | Height (mm) | Width (mm) | Height O (mm) | Width P (mm) | | |
| 0 369 10 | 300 | 200 | 251 | 148 ⁽³⁾ | (1) | (2) |
| 0 369 17/12/27 | 400 | 300 | 351 | 248 ⁽³⁾ | (1) | (2) |
| 0 369 13/18/28 | 500 | 400 | 451 | 300 | (1) | 330 |
| 0 369 19/26/29/36 | 600 | 400 | 551 | 300 | 350 | 330 |
| 0 369 20 | 600 | 500 | 551 | 400 | 350 | 430 |
| 0 369 21/30/40 | 700 | 500 | 651 | 400 | 400 | 430 |
| 0 369 25 | 500 | 400 | 451 | 300 | (1) | 330 |
| 0 369 31/37/41/44/47 | 800 | 600 | 751 | 500 | 500 | 530 |
| 0 369 32/38/48 | 1000 | 600 | 951 | 500 | (1) | 530 |
| 0 369 33/39/45/49 | 1000 | 800 | 951 | 700 | (1) | 730 |
| 0 369 42 | 1200 | 600 | 1151 | 500 | (1) | 530 |
| 0 369 43/46/56 | 1200 | 800 | 1151 | 700 | (1) | 730 |
| 0 369 50/60 | 1400 | 800 | 1351 | 700 | (1) | 730 |
| 0 369 51/55 | 300 | 300 | 251 | 248 ⁽³⁾ | (1) | (2) |
| 0 369 57 | 400 | 400 | 351 | 348 ⁽³⁾ | (1) | (2) |
| 0 369 59/62 | 500 | 500 | 451 | 400 | (1) | 430 |
| 0 369 64/72/74 | 600 | 600 | 551 | 500 | 350 | 530 |
| 0 369 68 | 800 | 800 | 751 | 700 | 500 | 730 |
| 0 369 11/75 | 300 | 400 | 251 | 348 ⁽³⁾ | (1) | (2) |
| 0 369 76/77 | 400 | 600 | 351 | 500 | (1) | 530 |
| 0 369 78 | 600 | 800 | 551 | 300 x 2 | (1) | 330 |
| 0 369 79 | 600 | 1000 | 551 | 400 x 2 | (1) | 430 |
| 0 369 80 | 800 | 1000 | 751 | 400 x 2 | (1) | 430 |
| 0 369 81 | 1000 | 1200 | 951 | 500 x 2 | (1) | 530 |

- 1: Central lock
- 2: Without strand-holder
- 3: -12 mm on the side with "Legrand" marking

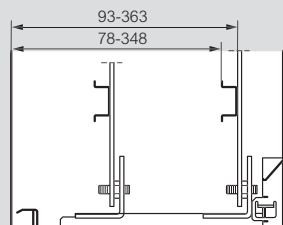
Usable depth



| Cabinets Depth (mm) | Back of cabinet | |
|------------------------|-----------------|--------|
| | W (mm) | X (mm) |
| 160 | 140 | 125 |
| 200 | 180 | 165 |
| 250 | 230 | 215 |
| 300 | 280 | 265 |
| 400 | 380 | 365 |

Adjustment of equipment (optional) with slide rails

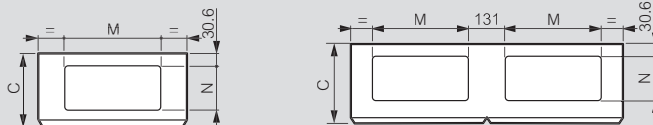
Cat.No 0 367 45 for 400 mm depth cabinets



Cable entries

Cabinets width ≤ 800 mm

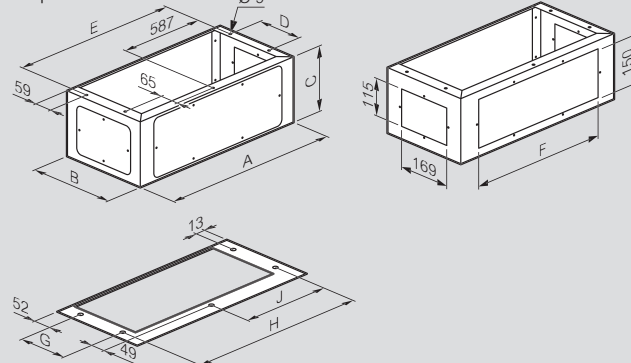
Cabinets width ≥ 1000 mm



| Cabinets (mm) | | Dimensions of cable entries (mm) | | |
|---------------|-------|----------------------------------|-----|-----|
| Width | Depth | C | M | N |
| 200 | 160 | 170 | - | - |
| 300 | 160 | 170 | - | - |
| 400 | 160 | 170 | - | - |
| 300 | 200 | 210 | 169 | 115 |
| 400 | 200 | 210 | 269 | 115 |
| 400 | 250 | 260 | 269 | 115 |
| 500 | 200 | 210 | 269 | 115 |
| 600 | 200 | 210 | 269 | 115 |
| 500 | 250 | 260 | 369 | 150 |
| 500 | 300 | 310 | 369 | 150 |
| 600 | 250 | 260 | 469 | 150 |
| 600 | 300 | 310 | 469 | 150 |
| 600 | 400 | 410 | 469 | 150 |
| 800 | 250 | 260 | 469 | 150 |
| 800 | 300 | 310 | 469 | 150 |
| 800 | 400 | 410 | 469 | 150 |
| 1000 | 300 | 310 | 369 | 150 |
| 1200 | 300 | 310 | 469 | 150 |

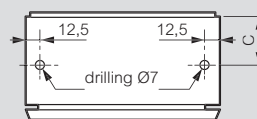
Plinths

Trap doors



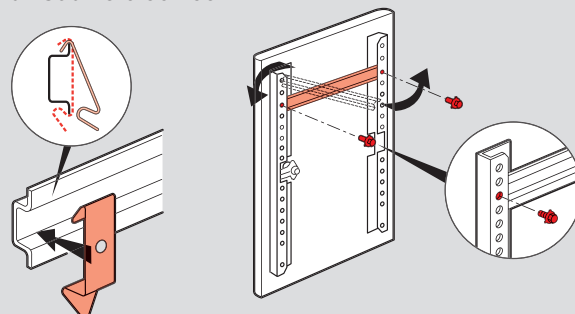
| Cat.Nos | Cabinets W x D (mm) | A | B | C | D | E | F | G | H | J |
|----------|---------------------|-----|-----|-----|-----|-----|-----|-----|-----|-----|
| 0 363 00 | 600 x 300 | 600 | 280 | 200 | 150 | 574 | 469 | 150 | 542 | 271 |
| 0 363 01 | 800 x 300 | 800 | 280 | 200 | 150 | 774 | 469 | 150 | 742 | 371 |

Roofs fixing



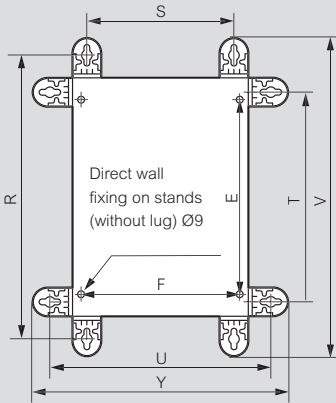
| Cat.Nos | C (mm) |
|-------------------|--------|
| 0 365 51/52/67/69 | 100 |
| 0 365 53/54/64 | 125 |
| 0 365 56/57 | 150 |

Fixing on door of a symmetrical rail depth 15 mm with Cat.No 0 367 35

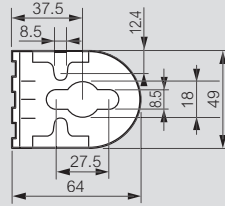


Usable dimensions

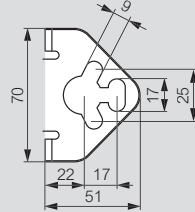
Fixing



Cat.No 0 364 01



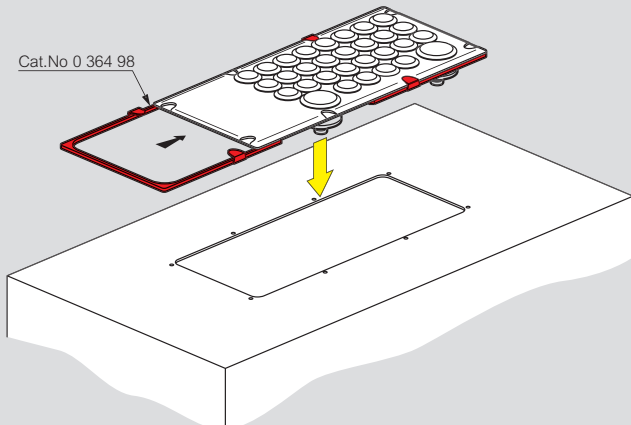
Cat.No 0 364 04



| Cabinets | | Vertical lugs | | Mounting centres | | Horizontal lugs | | Mounting centres | | Overall 0 364 01 | | Overall 0 364 04 | |
|----------|--------|---------------|-----------------------|------------------|-----------------------|-----------------|--------|------------------|--------|------------------|--------|------------------|--------|
| H (mm) | W (mm) | R (mm) | S ⁽¹⁾ (mm) | E (mm) | T ⁽¹⁾ (mm) | U (mm) | F (mm) | V (mm) | Y (mm) | V (mm) | Y (mm) | V (mm) | Y (mm) |
| 300 | 200 | 375 | 150 | 225 | 250 | 275 | 169 | 430 | 330 | 402 | 302 | | |
| 300 | 300 | 375 | 250 | 225 | 250 | 375 | 269 | 430 | 430 | 402 | 402 | | |
| 300 | 400 | 375 | 350 | 225 | 250 | 475 | 369 | 430 | 530 | 402 | 502 | | |
| 400 | 300 | 475 | 250 | 325 | 350 | 375 | 269 | 530 | 430 | 502 | 402 | | |
| 400 | 400 | 475 | 350 | 325 | 350 | 475 | 369 | 530 | 530 | 502 | 502 | | |
| 400 | 600 | 475 | 550 | 325 | 350 | 675 | 569 | 530 | 730 | 502 | 702 | | |
| 500 | 400 | 575 | 350 | 425 | 450 | 475 | 369 | 630 | 530 | 602 | 502 | | |
| 500 | 500 | 575 | 450 | 425 | 450 | 575 | 469 | 630 | 630 | 602 | 602 | | |
| 600 | 400 | 675 | 350 | 525 | 550 | 475 | 369 | 730 | 530 | 702 | 502 | | |
| 600 | 500 | 675 | 450 | 525 | 550 | 575 | 469 | 730 | 630 | 702 | 602 | | |
| 600 | 600 | 675 | 550 | 525 | 550 | 675 | 569 | 730 | 730 | 702 | 702 | | |
| 600 | 800 | 675 | 750 | 525 | 550 | 875 | 769 | 730 | 930 | 702 | 902 | | |
| 600 | 1000 | 675 | 950 | 525 | 550 | 1075 | 969 | 730 | 1130 | 702 | 1102 | | |
| 700 | 500 | 775 | 450 | 625 | 650 | 575 | 469 | 830 | 630 | 802 | 602 | | |
| 800 | 600 | 875 | 550 | 725 | 750 | 675 | 569 | 930 | 730 | 902 | 702 | | |
| 800 | 800 | 875 | 750 | 725 | 750 | 875 | 769 | 930 | 930 | 902 | 902 | | |
| 800 | 1000 | 875 | 950 | 725 | 750 | 1075 | 969 | 930 | 1130 | 902 | 1102 | | |
| 1000 | 600 | 1075 | 550 | 925 | 950 | 675 | 569 | 1130 | 730 | 1102 | 702 | | |
| 1000 | 800 | 1075 | 750 | 925 | 950 | 875 | 769 | 1130 | 930 | 1102 | 902 | | |
| 1000 | 1200 | 1075 | 1150 | 925 | 950 | 1275 | 1169 | 1130 | 1330 | 1102 | 1302 | | |
| 1200 | 800 | 1275 | 750 | 1125 | 1150 | 875 | 769 | 1330 | 930 | 1302 | 902 | | |
| 1400 | 800 | 1475 | 750 | 1325 | 1350 | 875 | 769 | 1530 | 930 | 1502 | 902 | | |

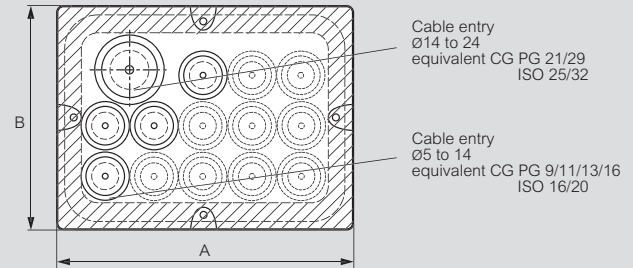
1: Same mounting centres for Cat.Nos 0 364 01 and 0 364 04

Assembly kit on plane surface for Cabstop plate



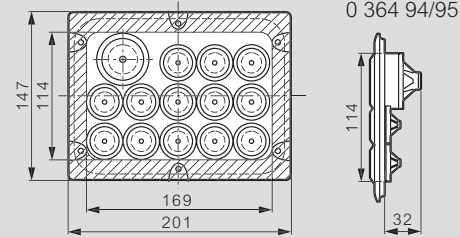
Cabstop plate

- Tensile resistance: 15 kg minimum
- Operating temperature: - 20 °C to + 65 °C
- ASTM No 3 resistance to cutting oil
- Resistance to incandescent wire: 750 °C according to IEC EN 60695-2-11

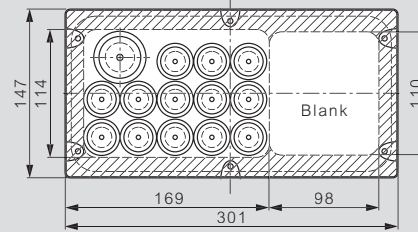


Dimensions

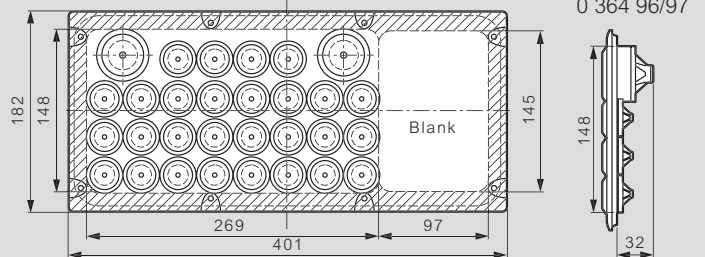
Cat.No 0 364 94



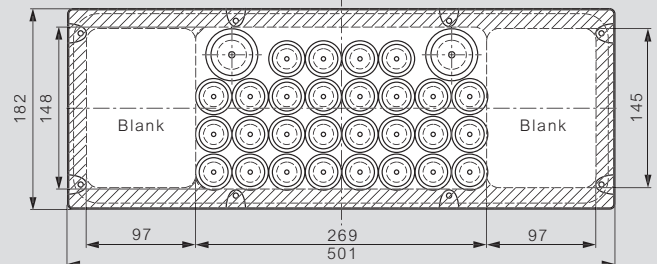
Cat.No 0 364 95



Cat.No 0 364 96



Cat.No 0 364 97



Atlantic stainless steel cabinets

304 L



Wall mounting lugs, horizontal or vertical installation



0 352 01 + 0 364 06



0 352 21



Cabinet and equipment selection chart p. 8-9

Suitable for harsh environments. Brushed stainless steel finish
 Door with rounded vertical edges.
 Double bar lock. Upper and lower protective hoods.
 Reversible cabinet. Self-centering positioning system for the equipment
 Optional depth adjustment starting from 600 x 400 x 250 mm cabinets, with slide rails Cat.Nos 0 367 43/44/45 (p. 11)
 Excellent resistance to corrosion and weather conditions
 Compatible with all Atlantic & Atlantic stainless steel accessories

| Pack | Cat.Nos | Stainless steel cabinets 304L | | | |
|------|-----------------------|--|------------|------------|-------------|
| | | IP 66 according to standards IEC/EN 60529 (IP 55 for 2-door cabinets). IK 10 according to standards IEC/EN 62262 (EN 50102) Approvals: cULus: type 4x (type 12 for 2-door cabinets) Bureau Veritas, LCIE N° 80257-575296 | | | |
| | | Vertical version - 1 door | | | |
| | | External dimensions | | | |
| | | Height (mm) | Width (mm) | Depth (mm) | Weight (kg) |
| | | 300 | 200 | 160 | 4 |
| 1 | 0 352 00 ¹ | 400 | 300 | 200 | 5.8 |
| 1 | 0 352 01 | 500 | 400 | 200 | 8.3 |
| 1 | 0 352 02 | 600 | 400 | 200 | 10.8 |
| 1 | 0 352 03 | 600 | 400 | 250 | 12 |
| 1 | 0 352 05 | 700 | 500 | 250 | 15 |
| 1 | 0 352 06 | 800 | 600 | 300 | 22 |
| 1 | 0 352 11 | 1000 | 800 | 300 | 38 |
| 1 | 0 352 13 | 1200 | 800 | 300 | 45 |
| 1 | 0 352 14 | 1400 | 800 | 400 | 66 |
| | | Vertical version - 2 doors | | | |
| | | Closing by 3-point locking system Door handle with key barrel No 2433 A (other key barrels available on request) Left-hand door condemned by 2-point locking system: central handle fixed on the inner side of the door | | | |
| | | External dimensions | | | |
| | | Height (mm) | Width (mm) | Depth (mm) | Weight (kg) |
| 1 | 304 L 0 352 16 | 1200 | 1000 | 300 | 58 |
| | | Square version | | | |
| | | 400 | 400 | 200 | 7 |
| 1 | 0 352 07 | 600 | 600 | 250 | 15.5 |
| 1 | 0 352 09 | 800 | 800 | 300 | 28 |
| | | Vertical version | | | |
| | | 300 | 400 | 200 | 6 |
| 1 | 0 352 04 | 400 | 600 | 250 | 12 |

Stainless steel wall mounting lugs

For load up to 300 kg
 Horizontal or vertical installation
 Supplied with stainless steel screws
 Set of 4
 304 L

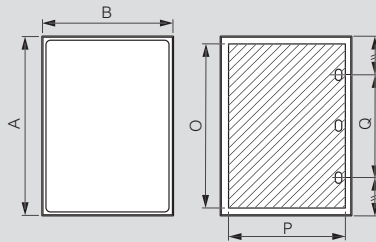
0 364 06

Atlantic stainless steel cabinets

technical characteristics

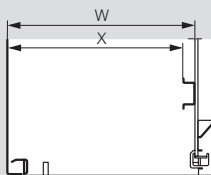
Usable dimensions

Doors

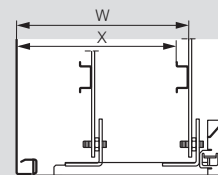


| Cat.Nos | Cabinets | | | Door usable dimensions | | Lock position |
|-------------|---------------|--------------|------------|------------------------|---------|---------------|
| | Height A (mm) | Width B (mm) | Depth (mm) | O (mm) | P (mm) | Q (mm) |
| 0 352 00 | 301.6 | 199.6 | 161.5 | 250 | 150 | - |
| 0 352 01/21 | 401.6 | 299.6 | 201.5 | 350 | 250 | - |
| 0 352 02/22 | 501.6 | 399.6 | 201.5 | 450 | 350 | 250 |
| 0 352 03 | 601.6 | 399.6 | 201.5 | 550 | 350 | 380 |
| 0 352 04 | 301.6 | 399.6 | 201.5 | 250 | 350 | - |
| 0 352 05/25 | 601.6 | 399.6 | 251.5 | 550 | 350 | 380 |
| 0 352 06/26 | 702.4 | 500 | 251.5 | 650 | 450 | 400 |
| 0 352 07 | 399.6 | 399.6 | 201.5 | 350 | 350 | 200 |
| 0 352 08 | 401.6 | 600 | 251.5 | 350 | 550 | 200 |
| 0 352 09 | 601.6 | 600 | 251.5 | 550 | 550 | 300 |
| 0 352 11/31 | 802.4 | 600 | 301.5 | 750 | 550 | 400 |
| 0 352 12 | 802.4 | 800.6 | 301.5 | 750 | 750 | 400 |
| 0 352 13/33 | 1003.6 | 800.6 | 301.5 | 950 | 750 | 600 |
| 0 352 14 | 1203.6 | 800.6 | 301.5 | 1150 | 750 | 700 |
| 0 352 15 | 1400.6 | 800.6 | 401.5 | 1350 | 750 | 700 |
| 0 352 16 | 1200.6 | 1000.6 | 301.5 | 1150 | 400 x 2 | - |

Usable depth



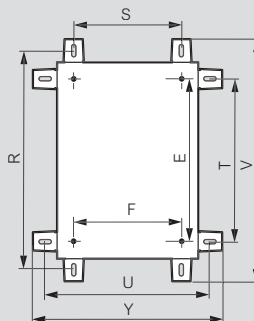
Adjustment of equipment (optional)



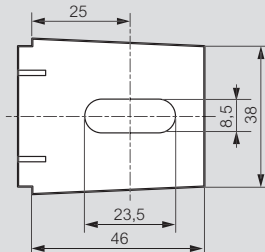
| Cabinets | Back of cabinet | |
|----------|-----------------|-----|
| | Depth (mm) | W X |
| 160 | 140 | 125 |
| 200 | 180 | 165 |
| 250 | 230 | 215 |
| 300 | 280 | 265 |
| 400 | 380 | 365 |

| Cabinets | Cat.Nos for slide rails | With slide rails | | | |
|----------|-------------------------|------------------|-----------|-----------|-----|
| | | Depth (mm) | W min max | X min max | |
| 250 | 0 367 43 | 93 | 213 | 78 | 198 |
| 300 | 0 367 44 | 93 | 263 | 78 | 248 |
| 400 | 0 367 45 | 93 | 363 | 78 | 348 |

Fixing



Cat.Nos 0 364 06/16



| Cat.Nos | Vertical position | | Horizontal position | | V | Y | E | F |
|-------------|-------------------|-----|---------------------|------|------|------|------|-----|
| | R | S | T | U | | | | |
| 0 352 00 | 350 | 150 | 250 | 250 | 392 | 292 | 225 | 169 |
| 0 352 01/21 | 450 | 250 | 350 | 350 | 492 | 392 | 325 | 269 |
| 0 352 02/22 | 550 | 350 | 450 | 450 | 592 | 492 | 425 | 369 |
| 0 352 03 | 650 | 350 | 550 | 450 | 692 | 492 | 525 | 369 |
| 0 352 04 | 350 | 350 | 250 | 450 | 392 | 492 | 225 | 369 |
| 0 352 05/25 | 650 | 350 | 550 | 450 | 692 | 492 | 525 | 369 |
| 0 352 06/26 | 750 | 450 | 650 | 550 | 792 | 592 | 625 | 469 |
| 0 352 07 | 450 | 350 | 350 | 450 | 492 | 492 | 325 | 369 |
| 0 352 08 | 450 | 550 | 350 | 650 | 492 | 692 | 325 | 569 |
| 0 352 09 | 650 | 550 | 550 | 650 | 692 | 692 | 525 | 569 |
| 0 352 11/31 | 850 | 550 | 750 | 650 | 892 | 692 | 725 | 569 |
| 0 352 12 | 850 | 750 | 750 | 850 | 892 | 892 | 725 | 769 |
| 0 352 13/33 | 1050 | 750 | 950 | 850 | 1092 | 892 | 925 | 769 |
| 0 352 14 | 1250 | 750 | 1150 | 850 | 1292 | 892 | 1125 | 769 |
| 0 352 15 | 1450 | 750 | 1350 | 850 | 1492 | 892 | 1325 | 769 |
| 0 352 16 | 1250 | 950 | 1150 | 1050 | 1292 | 1092 | 1125 | 969 |

Atlantic food industry stainless steel cabinets



Stainless steel door lock for food industry

0 352 36



0 364 10
Stainless steel wall mounting lugs

0 352 36 + 0 364 11

0 364 11

0 352 36 + 2 x 0 364 10

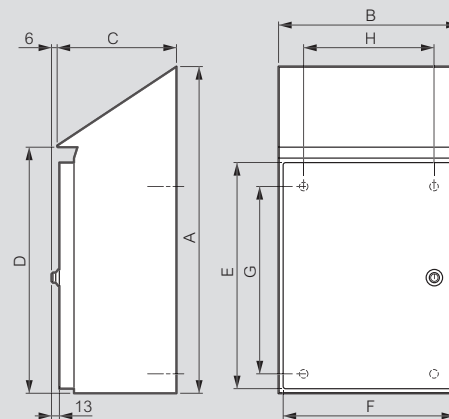
Selection chart p. 8-9

Hygienic Design: especially designed for food & beverage industry or other environments with high hygiene requirements
 Finish: brushed stainless steel
 Curved reversible door, stainless steel lock
 Roof angles forwards by 30° for improved door protection
 Supplied with one key
 Can be equipped with Atlantic & Atantic stainless steel accessories (lighting kit ...)

| Pack | Cat.Nos | Enclosures - 304L stainless steel | | | | | | | | | | | | | | | | | | | | | | | | | | | | | |
|------|-------------|--|------------|-------------|------------|------------|-------------|---|----------|---------|---------|---------|-----|---|----------|---------|---------|---------|------|---|----------|----------|---------|---------|------|---|----------|-----------|---------|---------|----|
| | | IP 66 according to EN/IEC 60529, IP 69 IK 10 according to EN/IEC 62262 (EN 50102) Vertical version, 1 door | | | | | | | | | | | | | | | | | | | | | | | | | | | | | |
| | | External dimensions/ Corresponding enclosure | | | | | | | | | | | | | | | | | | | | | | | | | | | | | |
| | | <table border="1"> <thead> <tr> <th></th> <th>Height (mm)</th> <th>Width (mm)</th> <th>Depth (mm)</th> <th>Weight (kg)</th> </tr> </thead> <tbody> <tr> <td>1</td> <td>0 352 34</td> <td>566/400</td> <td>312/300</td> <td>210/200</td> <td>6.5</td> </tr> <tr> <td>1</td> <td>0 352 36</td> <td>798/600</td> <td>412/400</td> <td>260/250</td> <td>12.5</td> </tr> <tr> <td>1</td> <td>0 352 38</td> <td>1031/800</td> <td>612/600</td> <td>310/300</td> <td>27.4</td> </tr> <tr> <td>1</td> <td>0 352 39</td> <td>1231/1000</td> <td>812/800</td> <td>310/300</td> <td>39</td> </tr> </tbody> </table> | | Height (mm) | Width (mm) | Depth (mm) | Weight (kg) | 1 | 0 352 34 | 566/400 | 312/300 | 210/200 | 6.5 | 1 | 0 352 36 | 798/600 | 412/400 | 260/250 | 12.5 | 1 | 0 352 38 | 1031/800 | 612/600 | 310/300 | 27.4 | 1 | 0 352 39 | 1231/1000 | 812/800 | 310/300 | 39 |
| | Height (mm) | Width (mm) | Depth (mm) | Weight (kg) | | | | | | | | | | | | | | | | | | | | | | | | | | | |
| 1 | 0 352 34 | 566/400 | 312/300 | 210/200 | 6.5 | | | | | | | | | | | | | | | | | | | | | | | | | | |
| 1 | 0 352 36 | 798/600 | 412/400 | 260/250 | 12.5 | | | | | | | | | | | | | | | | | | | | | | | | | | |
| 1 | 0 352 38 | 1031/800 | 612/600 | 310/300 | 27.4 | | | | | | | | | | | | | | | | | | | | | | | | | | |
| 1 | 0 352 39 | 1231/1000 | 812/800 | 310/300 | 39 | | | | | | | | | | | | | | | | | | | | | | | | | | |
| | | Wall spacer brackets - 304L stainless steel | | | | | | | | | | | | | | | | | | | | | | | | | | | | | |
| 1 | 0 364 10 | Set of 4 wall spacer brackets. Supplied with screws For load up to 125 kg Spacing between wall and enclosure: 75 mm Maximum spacing between wall and enclosure: 150 mm with 2 sets of wall spacer brackets Cat.No 0 364 10 | | | | | | | | | | | | | | | | | | | | | | | | | | | | | |
| | | Adjustable feet - 304L stainless steel | | | | | | | | | | | | | | | | | | | | | | | | | | | | | |
| 1 | 0 364 11 | Set of 4 feet. Supplied with screws For load up to 125 kg Adjustable height from 120 to 160 mm Adjustable tilt up to 10° | | | | | | | | | | | | | | | | | | | | | | | | | | | | | |

Atlantic food industry stainless steel cabinets

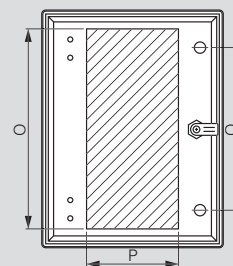
Dimensions Cabinet



| Cat.No | Dimensions (mm) | | | | | | | |
|----------|-----------------|---------|--------------------|------|-----|-----|-----|-----|
| | Height A | Width B | Depth C | D | E | F | G | H |
| 0 352 34 | 566 | 312 | 210 ⁽¹⁾ | 428 | 364 | 267 | 325 | 225 |
| 0 352 36 | 798 | 412 | 260 ⁽¹⁾ | 628 | 564 | 367 | 525 | 325 |
| 0 352 38 | 1031 | 612 | 310 ⁽¹⁾ | 828 | 764 | 566 | 725 | 525 |
| 0 352 39 | 1231 | 812 | 310 ⁽¹⁾ | 1028 | 964 | 766 | 925 | 725 |

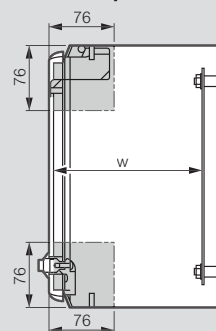
1: + 6 mm when equipped with lock

Door



| Cat.No | Door usable area | | Locking position |
|----------|------------------|--------|------------------|
| | O (mm) | P (mm) | Q (mm) |
| 0 352 34 | 330 | 150 | - |
| 0 352 36 | 530 | 250 | 400 |
| 0 352 38 | 730 | 450 | 600 |
| 0 352 39 | 930 | 650 | 800 |

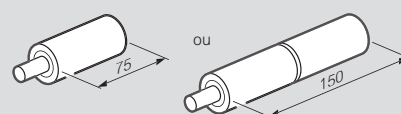
Usable depth



| Enclosure depth (mm) | Back of enclosure W (mm) |
|----------------------|--------------------------|
| 200 | 179 |
| 250 | 229 |
| 300 | 279 |

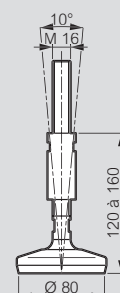
Wall spacer brackets

Cat.No 0 364 10



Adjustable feet

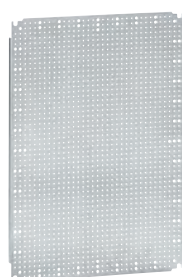
Cat.No 0 364 11



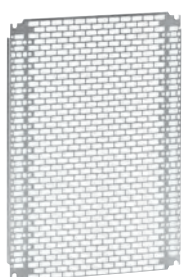
Atlantic, Atlantic stainless steel and food industry cabinets: plain plates and perforated plates



0 360 58



0 360 31



0 360 18



Lina 12.5 plate
Cat.No 0 360 22 vertical
mounting inside Atlantic
enclosure Cat.No 0 369 26



Lina 12.5 plate Cat.No 0 360 22
horizontal mounting inside Atlantic
enclosure Cat.No 0 369 77

Cabinet and equipment selection chart **p. 8-9**
Technical characteristics **p. 17**

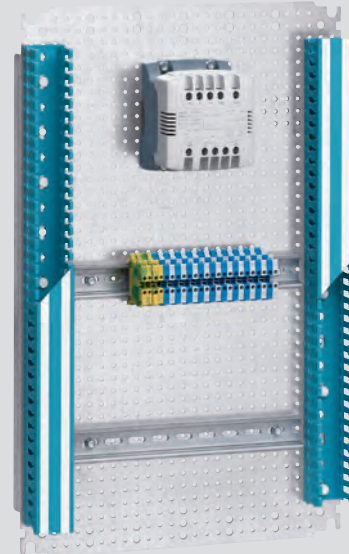
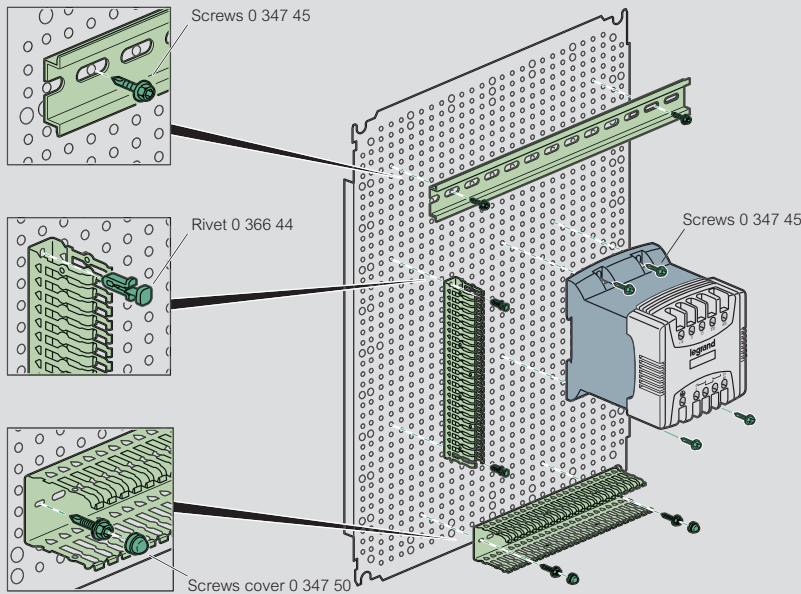
| Pack | Cat.Nos | Plain plates | | | | |
|------|-----------------------|---|------------|-------------|-------------------------------------|------------|
| | | Galvanized steel Vertical mounting for cabinets | | | Horizontal mounting for cabinets | |
| | | Height (mm) | Width (mm) | Weight (kg) | Height (mm) | Width (mm) |
| 1 | 0 360 50 ² | 300 | 200 | 0.6 | | |
| 1 | 0 360 49 ¹ | 300 | 220 | 0.9 | | |
| 1 | 0 360 69 | 300 | 300 | 1 | | |
| 1 | 0 360 52 | 400 | 300 | 1.3 | 300 | 400 |
| 1 | 0 360 70 | 400 | 400 | 1.7 | | |
| 1 | 0 360 55 | 500 | 400 | 2.7 | | |
| 1 | 0 360 71 | 500 | 500 | 3.5 | | |
| 1 | 0 360 56 | 600 | 400 | 3.3 | 400 | 600 |
| 1 | 0 360 84 | 600 | 500 | 4.9 | | |
| 1 | 0 360 57 | 600 | 600 | 6.2 | | |
| 1 | 0 360 54 | 600 | 1000 | 10.6 | 1000 | 600 |
| 1 | 0 360 58 | 700 | 500 | 6 | | |
| 1 | 0 360 59 | 800 | 600 | 8.4 | 600 | 800 |
| 1 | 0 360 60 | 800 | 800 | 11.4 | | |
| 1 | 0 360 61 | 800 | 1000 | 14.4 | 1000 | 800 |
| 1 | 0 360 85 | 1200 | 600 | 12.1 | | |
| 1 | 0 360 64 | 1200 | 800 | 18.5 | | |
| 1 | 0 360 65 | 1200 | 1000 | 23 | 1000 | 1200 |
| 1 | 0 360 67 ² | 1400 | 800 | 26.4 | | |

| Pack | Cat.Nos | Lina 12.5 plates | | | | |
|------|-----------------------|--|------------|-------------|-------------------------------------|------------|
| | | Galvanized steel. With drilling for fixing equipment without marking. Automatic bracket: - Ø6.5 mm for plastic rivet Cat.No 0 366 44 (trunking) - Ø3.3 mm for equipment with screw Cat.No 0 347 45 | | | | |
| | | Vertical mounting for cabinets | | | Horizontal mounting for cabinets | |
| | | Height (mm) | Width (mm) | Weight (kg) | Height (mm) | Width (mm) |
| 1 | 0 360 00 ² | 300 | 200 | 0.4 | | |
| 1 | 0 360 01 ¹ | 300 | 220 | 0.47 | | |
| 1 | 0 360 02 | 300 | 300 | 0.6 | | |
| 1 | 0 360 04 | 400 | 300 | 0.8 | 300 | 400 |
| 1 | 0 360 05 | 400 | 400 | 1.1 | | |
| 1 | 0 360 09 | 500 | 400 | 1.5 | | |
| 1 | 0 360 14 | 500 | 500 | 1.85 | | |
| 1 | 0 360 22 | 600 | 400 | 2.2 | 400 | 600 |
| 1 | 0 360 24 | 600 | 600 | 3.7 | | |
| 1 | 0 360 40 | 600 | 1000 | 6.8 | 1000 | 600 |
| 1 | 0 360 31 | 700 | 500 | 3.7 | | |
| 1 | 0 360 33 | 800 | 600 | 5.2 | 600 | 800 |
| 1 | 0 360 34 | 800 | 800 | 7 | | |
| 1 | 0 360 42 | 1000 | 800 | 9.2 | 800 | 1000 |
| 1 | 0 360 46 | 1200 | 800 | 11.1 | | |
| 1 | 0 360 47 | 1200 | 1000 | 13.9 | 1000 | 1200 |
| 1 | 0 360 75 ² | 1400 | 800 | 13 | | |

| Pack | Cat.Nos | Lina 25 perforated plates | |
|------|-----------------------|--|----------------|
| | | Galvanized steel | |
| | | Common for all types of cabinets | |
| | | For cabinets Height x Width (mm) | Weight (kg) |
| 1 | 0 360 07 ² | 300 x 200 | 0.4 |
| 1 | 0 360 99 ¹ | 300 x 220 | 0.4 |
| 1 | 0 360 91 | 300 x 300 | 0.5 |
| 1 | 0 360 11 | 300 x 400 | 0.6 |
| 1 | 0 360 12 | 400 x 300 | 0.6 |
| 1 | 0 360 92 | 400 x 400 | 0.8 |
| 1 | 0 360 13 | 400 x 600 | 1.1 |
| 1 | 0 360 15 | 500 x 400 | 0.9 |
| 1 | 0 360 93 | 500 x 500 | 1.1 |
| 1 | 0 360 16 | 600 x 400 | 1.3 |
| 1 | 0 360 17 | 600 x 600 | 2.1 |
| 1 | 0 360 06 | 600 x 800 | 3.1 |
| 1 | 0 360 08 | 600 x 1000 | 3.7 |
| 1 | 0 360 18 | 700 x 500 | 2 |
| 1 | 0 360 19 | 800 x 600 | 3.1 |
| 1 | 0 360 20 | 800 x 800 | 4 |
| 1 | 0 360 94 | 800 x 1000 | 5 |
| 1 | 0 360 23 | 1000 x 600 | 3.7 |
| 1 | 0 360 21 | 1000 x 800 | 4.9 |
| 1 | 0 360 10 | 1000 x 1200 | 8.5 |
| 1 | 0 360 87 | 1200 x 800 | 7.1 |
| 1 | 0 360 88 | 1200 x 1000 | 8.5 |
| 1 | 0 360 90 ² | 1400 x 800 | 7.8 |
| | | Clip-nuts for perforated plates Supplied without screw | |
| 100 | 0 364 40 | For M4 screws | |
| 100 | 0 364 41 | For M5 screws | |
| 100 | 0 364 42 | For M6 screws | |
| | | Accessories | |
| 500 | 0 366 44 | Rivet reinforced plastic Ø6 mm for drilling Ø6.5 mm | |
| 100 | 0 347 45 | Screw head 4.8 x 16 mm self-drilling, self-tapping for Ø3.3 mm | |
| 200 | 0 347 50 | Screw cover for isolation of screw head Cat.No 0 347 45 inside the trunking | |

1: For Marina cabinets
2: For Atlantic

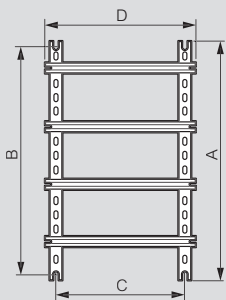
Atlantic, Atlantic stainless steel and food industry cabinets: plain plates and perforated plates



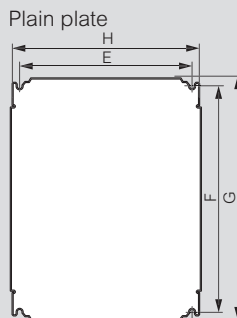
Fixing example on Lina 12.5 plate:
 - of a transformer with screws Cat.No 0 347 45
 - of a rail
 - of Lina 25 cable ducting

Dimensions

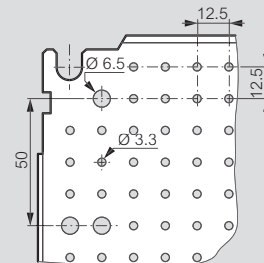
Assembled chassis with rails and Lina 25 uprights



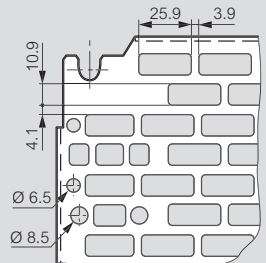
Lina 12.5 plain plates and Lina 25 perforated plates



Details Lina 12.5



Details Lina 25 perforated plate



| Dimensions of cabinets Height x Width (mm) | Uprights height A (mm) | Rail length D (mm) | Chassis fixing | |
|--|------------------------------|--------------------------|-------------------|--------|
| | | | B (mm) | C (mm) |
| 300 x 200 | 237 | 143 | 225 | 125 |
| 300 x 300 | 237 | 243 | 225 | 225 |
| 300 x 400 | 237 | 343 | 225 | 325 |
| 400 x 300 | 337 | 243 | 325 | 225 |
| 400 x 400 | 337 | 343 | 325 | 325 |
| 400 x 600 | 337 | 543 | 325 | 525 |
| 500 x 400 | 437 | 343 | 425 | 325 |
| 500 x 500 | 437 | 443 | 425 | 425 |
| 600 x 400 | 537 | 343 | 525 | 325 |
| 600 x 500 | 537 | 443 | 525 | 425 |
| 600 x 600 | 537 | 543 | 525 | 525 |
| 600 x 800 | 537 | 743 | 525 | 725 |
| 600 x 1000 | 537 | 943 | 525 | 925 |
| 700 x 500 | 637 | 443 | 625 | 425 |
| 800 x 600 | 737 | 543 | 725 | 525 |
| 800 x 800 | 737 | 743 | 725 | 725 |
| 800 x 1000 | 737 | 943 | 725 | 925 |
| 1000 x 600 | 937 | 543 | 925 | 525 |
| 1000 x 800 | 937 | 743 | 925 | 725 |
| 1000 x 1200 | 937 | 1143 | 925 | 1125 |
| 1200 x 600 | 1137 | 543 | 1125 | 525 |
| 1200 x 800 | 1137 | 743 | 1125 | 725 |
| 1200 x 1000 | 1137 | 943 | 1125 | 925 |
| 1400 x 800 | 1337 | 743 | 1325 | 725 |

| Cabinets dimensions Height x Width (mm) | Dimensions of plates Plain / Lina 12.5 / 25 plates | | Usable space for equipment (dm ²) | Mounting of plates | |
|--|---|--------|--|-----------------------|--------|
| | G (mm) | H (mm) | | F (mm) | E (mm) |
| 300 x 200 | 256 | 156 | 4.2 | 225 | 125 |
| 300 x 220 | 275 | 192 | 5.3 | 263 | 163 |
| 300 x 300 | 256 | 256 | 6.2 | 225 | 225 |
| 300 x 400 ⁽¹⁾ | 256 | 356 | 8.2 | 225 | 325 |
| 400 x 300 ⁽¹⁾ | 356 | 256 | 8.2 | 325 | 225 |
| 400 x 400 | 356 | 356 | 11.7 | 325 | 325 |
| 400 x 600 ⁽¹⁾ | 356 | 556 | 18.7 | 325 | 525 |
| 500 x 400 | 456 | 356 | 15.2 | 425 | 325 |
| 500 x 500 | 456 | 456 | 19.2 | 425 | 425 |
| 600 x 400 ⁽¹⁾ | 556 | 356 | 18.7 | 525 | 325 |
| 600 x 500 | 556 | 456 | 25.3 | 525 | 425 |
| 600 x 600 | 556 | 556 | 29.7 | 525 | 525 |
| 600 x 800 ⁽¹⁾ | 556 | 756 | 40.7 | 525 | 725 |
| 600 x 1000 ⁽¹⁾ | 556 | 956 | 51.7 | 525 | 925 |
| 700 x 500 | 656 | 456 | 28.7 | 625 | 425 |
| 800 x 600 ⁽¹⁾ | 756 | 556 | 40.7 | 725 | 525 |
| 800 x 800 | 756 | 756 | 55.7 | 725 | 725 |
| 800 x 1000 ⁽¹⁾ | 756 | 956 | 71.7 | 725 | 925 |
| 1000 x 600 ⁽¹⁾ | 956 | 556 | 51.7 | 925 | 525 |
| 1000 x 800 ⁽¹⁾ | 956 | 756 | 70.7 | 925 | 725 |
| 1000 x 1200 ⁽¹⁾ | 956 | 1156 | 108.7 | 925 | 1125 |
| 1200 x 600 | 1156 | 556 | 64.2 | 1125 | 525 |
| 1200 x 800 | 1156 | 756 | 85.7 | 1125 | 725 |
| 1200 x 1000 ⁽¹⁾ | 1156 | 956 | 108.7 | 1125 | 925 |
| 1400 x 800 | 1356 | 756 | 100.7 | 1325 | 725 |

1: For horizontal or vertical mounting



Cabinet and equipment selection chart **p. 8-9**
 Technical characteristics **p. 20**

| Pack | Cat.Nos | Lina 25 sectioned uprights | | |
|------|----------|---|------------------------|---------|
| | | Set of 2 uprights | | |
| | | For cabinets height (mm) | Length (mm) | Section |
| 5 | 0 361 50 | 300 | 237 | L |
| 5 | 0 361 51 | 400 | 337 | |
| 5 | 0 361 52 | 500 | 437 | |
| 5 | 0 361 53 | 600 | 537 | |
| 5 | 0 361 54 | 700 | 637 | |
| 5 | 0 361 55 | 800 | 737 | |
| 5 | 0 361 56 | 1000 | 937 | |
| 1 | 0 361 58 | 1200 | 1137 | |
| 1 | 0 361 59 | 1400 | 1337 | |
| 10 | 0 361 92 | Upright to be cut Length 3 m - Section L | | |
| | | Lina 25 rail | | |
| | | Rail | | |
| | | For fixing onto uprights with clip nut Cat.No 0 364 42 and screw-washer Cat.No 0 367 75 | | |
| | | └ depth 15 mm | | |
| | | For cabinets width (mm) | Crosspiece length (mm) | Section |
| 10 | 0 367 80 | 300 | 243 | └ |
| 10 | 0 367 81 | 400 | 343 | |
| 10 | 0 367 82 | 500 | 443 | |
| 10 | 0 367 83 | 600 | 543 | |
| 10 | 0 367 84 | 800 | 743 | |
| 10 | 0 374 02 | Rail to be cut, length 2 m └ EN 60715 | | |
| 10 | 0 374 07 | Symmetrical └ depth 15 mm | | |
| 10 | 0 374 04 | Symmetrical └ EN 60715 depth 7.5 mm | | |
| 10 | 0 477 22 | └ depth 7.5 mm with oblongs | | |
| 10 | 0 477 23 | └ depth 15 mm with oblongs | | |
| 5 | 0 367 36 | Protective conductor lug Support lug for protection copper bar For Atlantic enclosures only | | |
| 1 | 0 462 27 | Wall-mounting VDI chassis for Atlantic, and Marina cabinets | | |
| 1 | 0 462 28 | For integrating 19" VDI equipment in Atlantic, and Marina cabinets, width 600 or 800 mm and depth 250 mm min. | | |
| 1 | 0 462 29 | In 400 mm wide cabinets, the chassis can integrate 10" VDI equipment | | |
| | | Can be fixed directly to the wall to create a wall-mounting chassis (without cabinet) | | |
| | | Self-locking cable ties and cable ties with tightening indicator can be fitted | | |
| | | Technical characteristics see e-catalogue | | |

| Pack | Cat.Nos | Copper bars | | | | |
|------|-----------------------|--|--------------|--------------------------|--------------------|-------------------|
| | | Copper bars with tapped holes | | | | |
| | | Cross-section (mm) | Permis I (A) | Tapped holes | | Length (mm) |
| 10 | 0 373 88 | 12 x 2 | 110 | Ø mm | Pitch | 990 |
| 10 | 0 373 89 | 12 x 4 | 160 | M5 | 18 | 990 |
| 100 | 0 373 65 ¹ | Connectors for bars with tapped holes 1 or 2 conductor from 1.5 to 10 mm ² (supplied with Ø5 mm screws) | | | | |
| 10 | 0 373 49 | Non perforated copper bar | | | | |
| | | Cross-section (mm) | Permis I (A) | Length (mm) | | |
| 10 | 0 373 49 | 12 x 4 | 180 | 991.5 | | |
| 100 | 0 373 60 | Connectors for bar Cat.No 0 373 49 1.5 to 4 mm ² | | | | |
| 10 | 0 373 61 | 6 to 16 mm ² | | | | |
| 10 | 0 373 62 | 10 to 35 mm ² (supplied with M6 CHC Ø5 mm) | | | | |
| 1 | 0 363 13 | Door contact | | | | |
| | | For example, to cut off the air conditioning and the lighting supply as soon as the enclosure or cabinet door is opened | | | | |
| | | 3 A - 240 V | | | | |
| | | 1 NC contact + 1 NO contact | | | | |
| | | For Atlantic and Marina cabinets | | | | |
| | | Supplied with fixing lug | | | | |
| | | Hinged glass doors | | | | |
| | | IP 54 | | | | |
| | | Anodised aluminium frame | | | | |
| | | Polycarbonate transparent window, 3 mm stick | | | | |
| | | Neoprene seal | | | | |
| | | 455 key lock. 120° opening | | | | |
| | | Supplied complete with drilling template | | | | |
| | | For devices on front panels. Protect the devices and prevent accidental operation | | | | |
| 1 | 0 475 45 | Width (mm) | Height (mm) | External dim. Width (mm) | Window Height (mm) | Window Depth (mm) |
| 1 | 0 475 46 | 300 | 400 | 50 | 230 | 330 |
| 1 | 0 475 47 | 400 | 400 | 50 | 330 | 330 |
| 1 | 0 475 47 | 500 | 500 | 50 | 430 | 430 |
| | | Self adhesive document holder (for plans) | | | | |
| | | Open - RAL 7035 | | | | |
| | | External dimensions | | Internal dimensions | | |
| | | Width (mm) | Height (mm) | Width (mm) | Height (mm) | Depth (mm) |
| 20 | 0 365 80 | 340 | 235 | 310 | 200 | 18 |
| 20 | 0 365 81 | 260 | 165 | 230 | 130 | 18 |
| 1 | 0 365 82 | Closed - RAL 7035 Rigid plastic - IP 50 Internal dimensions: 324 x 120 x 18 mm | | | | |
| 10 | 0 097 99 | Transparent Flexible plastic - A4 - 320 x 220 mm | | | | |
| 1 | 0 363 86 ² | Door stop for Atlantic metal cabinets Allows door stop at 90° Supplied with screws | | | | |

1: Protective conductor per connector (art. 12 of French decree of 14/11/89)
 2: For Atlantic metal cabinets only

Atlantic, Atlantic stainless steel and food industry cabinets chassis and internal doors



0 361 03 mounted in cabinet
Cat.No 0 369 26 (p. 10)



0 363 60 mounted in Atlantic metal
cabinets Cat.No 0 369 18 (p. 10)
with Cat.No 0 363 69



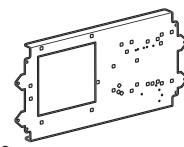
Accept key barrel



Cabinet and equipment selection chart **p. 8-9**
Technical characteristics **p. 20**

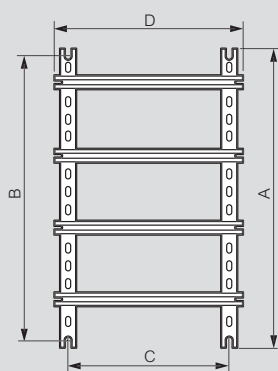
| Pack | Cat.Nos | Chassis with insulating faceplates RAL 7035 |
|------|----------|---|
| 1 | 0 361 01 | <p>Symmetrical rails 15 mm depth Supplied complete with uprights and faceplates Space between door and faceplate for Atlantic, Atlantic Hygienic Design and Marina cabinets : - 70 mm for cabinets depth 200 mm - 80 mm for cabinets depth 250 mm - 90 mm for cabinets depth 300 mm Self extinguishing 750 °C acc. to IEC EN 60695-2-11</p> <p>For cabinets 400 x 300 x 200 30 modules (3 rows of 10) Supplied with 1 blanking plate</p> |
| 1 | 0 361 02 | <p>For cabinets 500 x 400 x 200 48 modules (3 rows of 16) Supplied with 1 blanking plate</p> |
| 1 | 0 361 03 | <p>For cabinets 600 x 400 x 250 48 modules (3 rows of 16) Supplied with 1 blanking plate</p> |
| 1 | 0 361 05 | <p>For cabinets 700 x 500 x 250 84 modules (4 rows of 21) Supplied with 1 blanking plate</p> |
| 1 | 0 361 06 | <p>For cabinets 800 x 600 x 300 108 modules (4 rows of 27) Supplied with 2 blanking plates Can take in 1st row a mounting plate Cat.No 0 360 44</p> |
| 1 | 0 361 09 | <p>For cabinets 1000 x 800 x 300 190 modules (5 rows of 38) Supplied with 2 blanking plates Can take in 1st row a mounting plate Cat.No 0 360 45</p> |
| 1 | 0 361 10 | <p>For cabinets 1200 x 800 x 300 228 modules (6 rows of 38) Supplied with 2 blanking plates Can take in 1st row a mounting plate Cat.No 0 360 45</p> |
| 10 | 0 361 00 | <p>Blanking plate 38 modules, length 684 mm</p> |

| Pack | Cat.Nos | Mounting plates | | | | | | | | | | | | | | | | | | | | | | | | |
|---------------------------------|--------------------------|---|---------------------------------|--------------------------|---------------------------------|----------------------|-----------|-----------|----------------------|-----------|-----------|----------------------|-----------|-----------|----------------------|-----------|-----------|----------------------|-----------|-----------|-----------------------|-----------|-----------|-----------------------|-----------|-----------|
| 1 | 0 360 44 | For 800 x 600 mm cabinets for DPX ³ 160 or Vistop 160 A or DPX-IS 250, 63 to 250 A, please consult us | | | | | | | | | | | | | | | | | | | | | | | | |
| 1 | 0 360 45 | For 1000 x 800 mm or 1200 x 800 mm cabinets For 1, 2 or 3 DPX ³ 160, DPX ³ 250 or Vistop 160 A or DPX-IS 250, 63 to 250 A | | | | | | | | | | | | | | | | | | | | | | | | |
| | | <p>Insulating internal doors RAL 7035</p> <p>For direct routing in Marina cabinets, with Cat.No 0 363 69 in Atlantic metal cabinets IP XXB Polyester fiber glass reinforced, height 4 mm Self-extinguishing 960°C acc. to IEC EN 60695-2-11 Grid lines integrated on back Centre marking on front Adjustable distance between cabinet door and internal door: 42 to 50 mm for Atlantic cabinets, more than 100 mm for Marina cabinets Right or left opening, captive hinge pins Double bar key: 1 key for 400 to 600 mm height, 2 keys for height from 700 mm Take key barrels and other barrels</p> <table border="1"> <thead> <tr> <th>For cabinets Height x Width(mm)</th> <th>Dim. (mm) Height x Width</th> <th>Usable dim. (mm) Height x Width</th> </tr> </thead> <tbody> <tr> <td>1 0 363 59 400 x 300</td> <td>341 x 236</td> <td>305 x 185</td> </tr> <tr> <td>1 0 363 60 500 x 400</td> <td>441 x 336</td> <td>405 x 250</td> </tr> <tr> <td>1 0 363 61 600 x 400</td> <td>541 x 336</td> <td>505 x 250</td> </tr> <tr> <td>1 0 363 62 700 x 500</td> <td>642 x 436</td> <td>500 x 340</td> </tr> <tr> <td>1 0 363 63 800 x 600</td> <td>742 x 536</td> <td>600 x 440</td> </tr> <tr> <td>1 0 363 64 1000 x 800</td> <td>942 x 736</td> <td>800 x 640</td> </tr> <tr> <td>1 0 363 65 1200 x 800</td> <td>942 x 736</td> <td>800 x 640</td> </tr> </tbody> </table> | For cabinets Height x Width(mm) | Dim. (mm) Height x Width | Usable dim. (mm) Height x Width | 1 0 363 59 400 x 300 | 341 x 236 | 305 x 185 | 1 0 363 60 500 x 400 | 441 x 336 | 405 x 250 | 1 0 363 61 600 x 400 | 541 x 336 | 505 x 250 | 1 0 363 62 700 x 500 | 642 x 436 | 500 x 340 | 1 0 363 63 800 x 600 | 742 x 536 | 600 x 440 | 1 0 363 64 1000 x 800 | 942 x 736 | 800 x 640 | 1 0 363 65 1200 x 800 | 942 x 736 | 800 x 640 |
| For cabinets Height x Width(mm) | Dim. (mm) Height x Width | Usable dim. (mm) Height x Width | | | | | | | | | | | | | | | | | | | | | | | | |
| 1 0 363 59 400 x 300 | 341 x 236 | 305 x 185 | | | | | | | | | | | | | | | | | | | | | | | | |
| 1 0 363 60 500 x 400 | 441 x 336 | 405 x 250 | | | | | | | | | | | | | | | | | | | | | | | | |
| 1 0 363 61 600 x 400 | 541 x 336 | 505 x 250 | | | | | | | | | | | | | | | | | | | | | | | | |
| 1 0 363 62 700 x 500 | 642 x 436 | 500 x 340 | | | | | | | | | | | | | | | | | | | | | | | | |
| 1 0 363 63 800 x 600 | 742 x 536 | 600 x 440 | | | | | | | | | | | | | | | | | | | | | | | | |
| 1 0 363 64 1000 x 800 | 942 x 736 | 800 x 640 | | | | | | | | | | | | | | | | | | | | | | | | |
| 1 0 363 65 1200 x 800 | 942 x 736 | 800 x 640 | | | | | | | | | | | | | | | | | | | | | | | | |
| 1 | 0 363 69 | <p>Accessory Accessory for mounting insulating internal doors in Atlantic metal cabinets</p> | | | | | | | | | | | | | | | | | | | | | | | | |



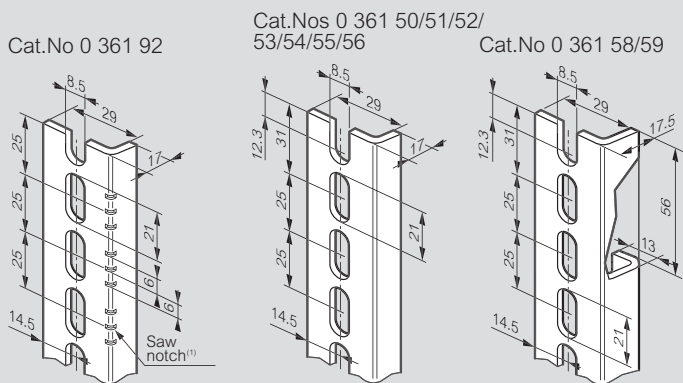
Metallic internal doors
p. 11

Assembled chassis with rails and Lina 25 uprights



| Dimensions of cabinets Height x Width (mm) | Uprights height | | Rail length | | Chassis fixing | |
|--|--------------------|--------|----------------|--------|-------------------|--------|
| | A (mm) | D (mm) | B (mm) | C (mm) | B (mm) | C (mm) |
| 300 x 200 | 237 | 143 | 225 | 125 | | |
| 300 x 300 | 237 | 243 | 225 | 225 | | |
| 300 x 400 | 237 | 343 | 225 | 325 | | |
| 400 x 300 | 337 | 243 | 325 | 225 | | |
| 400 x 400 | 337 | 343 | 325 | 325 | | |
| 400 x 600 | 337 | 543 | 325 | 525 | | |
| 500 x 400 | 437 | 343 | 425 | 325 | | |
| 500 x 500 | 437 | 443 | 425 | 425 | | |
| 600 x 400 | 537 | 343 | 525 | 325 | | |
| 600 x 500 | 537 | 443 | 525 | 425 | | |
| 600 x 600 | 537 | 543 | 525 | 525 | | |
| 600 x 800 | 537 | 743 | 525 | 725 | | |
| 600 x 1000 | 537 | 943 | 525 | 925 | | |
| 700 x 500 | 637 | 443 | 625 | 425 | | |
| 800 x 600 | 737 | 543 | 725 | 525 | | |
| 800 x 800 | 737 | 743 | 725 | 725 | | |
| 800 x 1000 | 737 | 943 | 725 | 925 | | |
| 1000 x 600 | 937 | 543 | 925 | 525 | | |
| 1000 x 800 | 937 | 743 | 925 | 725 | | |
| 1000 x 1200 | 937 | 1143 | 925 | 1125 | | |
| 1200 x 600 | 1137 | 543 | 1125 | 525 | | |
| 1200 x 800 | 1137 | 743 | 1125 | 725 | | |
| 1200 x 1000 | 1137 | 943 | 1125 | 925 | | |
| 1400 x 800 | 1337 | 743 | 1325 | 725 | | |

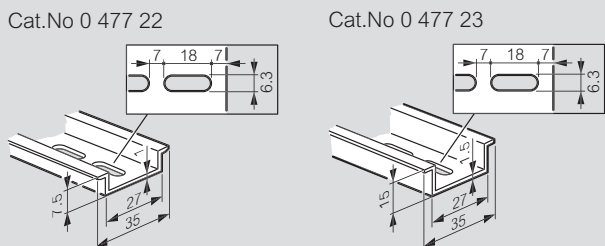
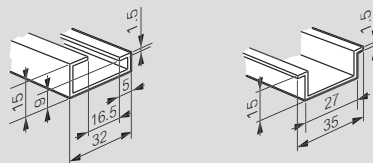
Lina 25 sectioned uprights and uprights to be cut



1: Saw notch for upright length x pitch 25,
the 2 others for uprights Cat.Nos 0 361 50/51/52/53/54/55/56

Rails

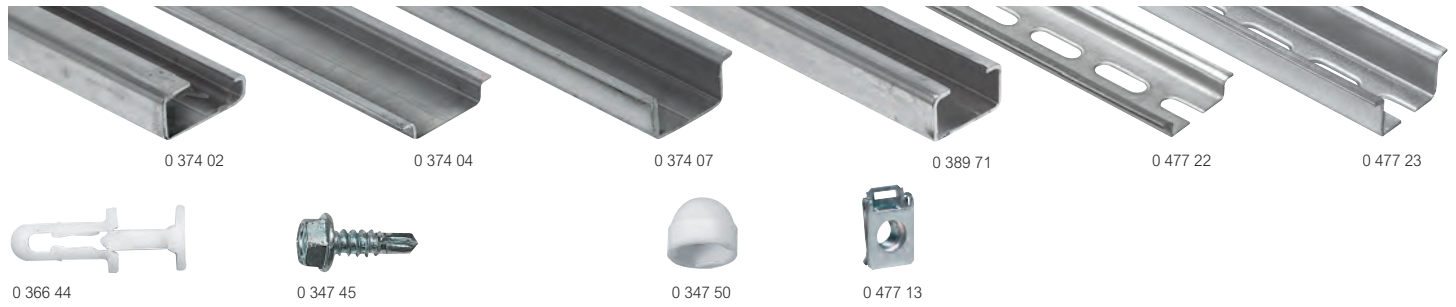
Cat.No 0 374 02 Cat.Nos 0 367 80/81/82/83/84/85/86 and 0 374 07



| Pack | Cat.Nos | Description | Image |
|------|-----------------------|---|-------|
| 10 | 0 368 04 | Lock housings for rebate locks or key barrels For Atlantic and Marina cabinets Lock | |
| 10 | 0 368 05 | Knob (with blanking plate) | |
| 10 | 0 368 06 | Knob fitted with key barrel 2433 A | |
| 1 | 0 365 11 | Padlocking Takes 3 safety padlocks Cat.No 0 227 97 Shackle Ø6 mm max. For fitting on Atlantic and Marina knob or lock RAL 7021 painted steel | |
| 1 | 0 365 13 | Padlock adaptor stainless steel for Marina cabinets height ≥ 400 mm additional to latches Takes 3 padlocks Ø6 max. | |
| 10 | 0 365 30 | Locking latches For Marina cabinets | |
| 10 | 0 368 43 | For Atlantic 1-door cabinet | |
| 10 | 0 368 17 ¹ | Metal rebate locks For Atlantic and Marina cabinets Triangle male 6.5 mm | |
| 10 | 0 368 18 ¹ | Triangle male 8 mm | |
| 10 | 0 368 19 ¹ | Triangle male 9 mm (EDF) | |
| 10 | 0 368 20 ¹ | Double bar | |
| 10 | 0 368 22 ¹ | Key barrels For Atlantic and Marina cabinets Supplied with set of 2 key For key No 405 | |
| 10 | 0 368 23 ¹ | For key No 421 | |
| 10 | 0 368 24 ¹ | For key No 455 | |
| 10 | 0 368 25 ¹ | For key No 1242 E | |
| 10 | 0 368 26 ¹ | For key No 2433 A | |
| 10 | 0 368 27 ¹ | For key No 3113 A | |
| 10 | 0 365 45 ¹ | Set of two 2433 A keys Other key code: please consult us | |
| 10 | 0 365 35 | Metal keys for rebate locks Square female 6 mm | |
| 10 | 0 365 39 | Triangle male 6.5 mm | |
| 10 | 0 365 40 | Triangle male 8 mm | |
| 10 | 0 365 41 | Triangle male 9 mm (EDF) | |
| 10 | 0 365 42 | Double bar | |
| 1 | 0 368 42 | Multi-size key for rebate locks: square male 8 mm, square male 6 mm, Triangle male 8 mm and double bar | |

1: Except Marina enclosures: please consult us

Uprights, rails and fixing accessories for cabinets and enclosures








For mounting chassis and fixing wiring accessories

| Pack | Cat.Nos | Uprights to be cut | Pack | Cat.Nos | Fixing accessories (continued) |
|------|-----------------------|--|------|----------|--|
| 10 | 0 361 92 | Lina 25 Length 3 m - Section L | 20 | 0 364 66 | Adaptor For mounting on rail □ equipment fitting on rail □ Width 17 mm Increase equipment height of 6 mm |
| 10 | 0 389 71 | On C profile rail Section □ | 100 | 0 364 78 | On rails EN 60 715 □ □ For M4 screws |
| 10 | 0 374 02 | Rails to be cut Length 2 m □ EN 60 715 | 100 | 0 364 79 | For M6 screws |
| 10 | 0 374 04 | □ EN 60 715 depth 7.5 mm | 10 | 0 044 16 | On rails EN 60 715 □ Claw width 10 mm |
| 10 | 0 374 07 | □ depth 15 mm | 50 | 0 044 17 | Threaded hole for M4 screw Claw width 17.5 mm Smooth hole 3.8 mm Supplied with fixing screw Ø3.5 mm Length 13 mm |
| 10 | 0 389 71 | Section □ | 100 | 0 374 39 | Claw width 35 mm Holes for M4 and M6 screws |
| 10 | 0 477 22 | □ depth 7.5 mm with oblongs | 40 | 0 364 69 | Fixomega for M4 screws |
| 10 | 0 477 23 | □ depth 15 mm with oblongs | 100 | 0 364 82 | On C profile rail Stirrup for M6 screws |
| 10 | 0 394 49 | 45° mounting bracket Set of 2 supports for 45° rail slope Supplied with 4 M6 screws Ø6 mm, nuts and washers | 20 | 0 364 50 | Cage nuts For mounting on square perforation 8.3 x 8.3 mm |
| 100 | 0 347 46 | Fixing accessories On plain plates CBL Z 5.5 x 16 PZ No 3 self-tapping screw | 20 | 0 364 51 | M4 |
| 100 | 0 347 47 | CBL Z 5.5 x 19 self-drilling tapping screw | 20 | 0 364 52 | M5 |
| 500 | 0 366 44 ¹ | On Lina 12.5 plates Rivet reinforced plastic Ø6 mm for drilling Ø6.5 mm | 20 | 0 364 52 | M6 |
| 100 | 0 347 45 | Screw head H 4.8 x 16 mm self-drilling, self-tapping for Ø3.3 mm | 50 | 0 367 75 | HF screw with contact washer M 6-10 HF screws with contact washers |
| 200 | 0 347 50 | Screw caps for isolation of screw head Cat.No 0 347 45 | | | |
| 100 | 0 364 40 | On Lina 25 perforated plates Clip-nuts supplied without screw | | | |
| 100 | 0 364 41 | For M4 screws | | | |
| 100 | 0 364 42 | For M5 screws | | | |
| 50 | 0 477 12 | On cabinet frame and crosspieces Clip-nuts with pins which provide earth continuity | | | |
| 50 | 0 477 13 | For M6 screws | | | |
| 100 | 0 364 61 | On rails EN 60 715 □ Fixobar for M4 screws | | | |
| 100 | 0 364 62 | Fixobar for M5 screws | | | |
| 100 | 0 364 63 | Fixobar for M6 screws | | | |

1: Can also be used on Lina 25 perforated plate



FOLLOW US

- @ legrand.com
-  youtube.com/user/legrand
-  facebook.com/Legrand
-  twitter.com/Legrand
-  pinterest.com/legrandgroup
-  instagram.com/legrandnews



Head Office

128, avenue de Lattre de Tassigny
87045 Limoges Cedex
France
Tel: +33 (0)5 55 06 87 87
Fax: +33 (0)5 55 06 74 55