

NEW RANGE PDU_s



DATA CENTER
& LOCAL AREA
NETWORK
INNOVATIVE
SOLUTIONS



-> CATALOGUE PAGES INSIDE



PDU_s AT THE HEART OF YOUR NETWORKS

From data centers to local area networks, Legrand's new range of power distribution units (PDUs) offers you innovative solutions to meet even your most specific requirements, developed on the strength of expertise gained over 60 years in the electrical equipment industry.



02 SOLUTIONS FOR ANY CONFIGURATION

04 CORD LOCKING SYSTEM INNOVATION

06 ZERO-U - INNOVATION & PERFORMANCE

08 1U - INNOVATION AND CONVENIENCE

10 PROTECTION ACCESSORIES

12 SERVICES

14 CATALOGUE PAGES

EXCLUSIVE TO LEGRAND

OUR PDU_s FEATURE EXCLUSIVE LEGRAND INNOVATIONS. THEY ARE IDENTIFIED BY THE FOLLOWING SYMBOLS



SOLUTIONS FOR ANY CONFIGURATION

A WIDE UNIVERSAL RANGE

This new PDU offer combines Legrand's quality and innovation with a wide range of applications. A standalone solution, this range integrates seamlessly into any installation ensuring compliance with applicable standards.

GENERAL CHARACTERISTICS

- Anodised aluminium profiles:
Light and rigid high-end material
- Modular design:
Expandable outlet and function modules

SAFETY

- High electrical safety rating
- High quality connection
- Outlets equipped with safety shutter

- **Cord Locking system** (see page 4)



POWER SUPPLY

- 16 A to 32 A single-phase or three-phase
- PDUs integrate local and international outlet types



STANDARDS

IEC 60950 - Information technology equipment – Safety

IEC 60297-3 - Dimensions of mechanical structures of the 482.6 mm (19 in) series

IEC 60320-2-2 - Interconnection couplers (C13 and C19) for household and similar equipment

IEC 60884-1 - Plugs and socket outlets for household and similar purposes (France, Belgium and Germany)

BS 1363-2 - British standard plugs and socket outlets

IEC 60309 - Plugs, socket outlets and couplers for industrial purposes

Certification: CE, TSE, CCC

Environmentally-friendly products

Eco-friendly design



ZERO-U PDUs



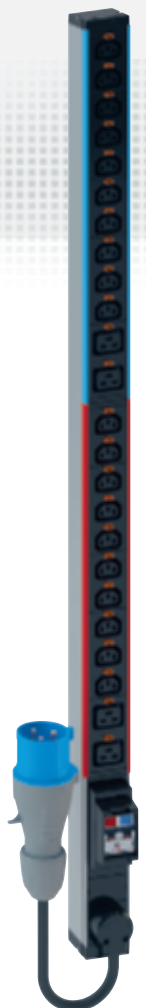
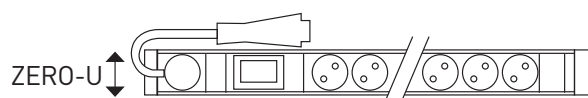
FOR DATA CENTERS/SERVER ROOMS

Used in server cabinets where:

- there is a high density of active equipment
- electrical distribution quality is crucial

12 CATALOGUE NUMBERS

FOR VERTICAL INSTALLATION



19" 1-U PDUs



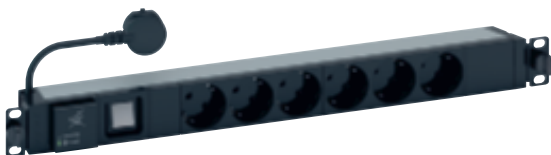
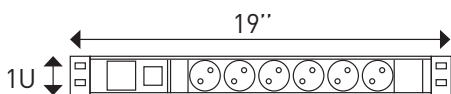
FOR DATA CENTERS/SERVER ROOMS AND COMPUTER ROOMS

Used in server and cabling cabinets where:

- there is a low density of active equipment to be powered
- ease of installation is an advantage

26 CATALOGUE NUMBERS

FOR VERTICAL OR HORIZONTAL INSTALLATION



10" 1-U PDUs



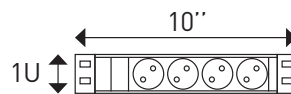
FOR SMALL IT ENVIRONMENTS

Mainly used in small-scale commercial applications where there is a limited number of IT points and a 10" cabinet is sufficient:

- Small businesses, freelance professions, administrative services, etc.

3 CATALOGUE NUMBERS

HORIZONTAL PDU

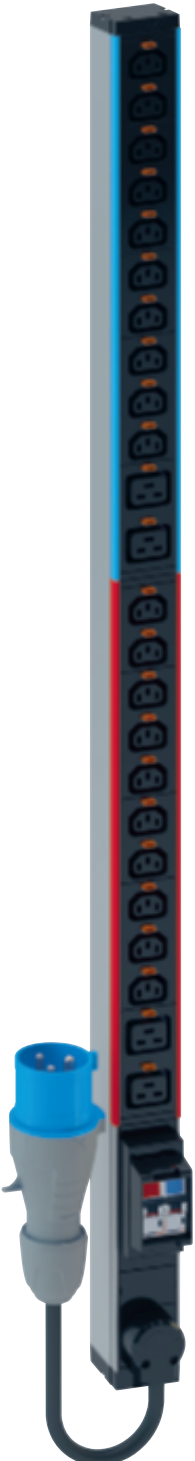


CORD LOCKING SYSTEM

INNOVATION AT THE HEART OF PDUs

FOR C13 & C19
SOCKETS

A major addition to the range and exclusive to Legrand, C13 and C19 outlets have a power supply cord locking system which prevents accidental disconnection and guarantees absolute safety.

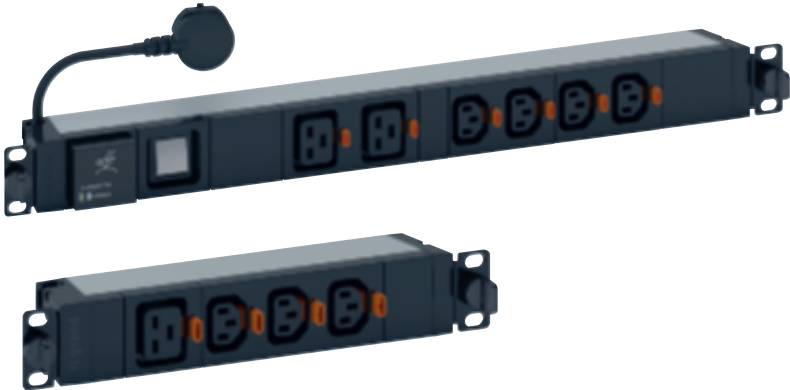


AN INNOVATIVE TECHNICAL SOLUTION 



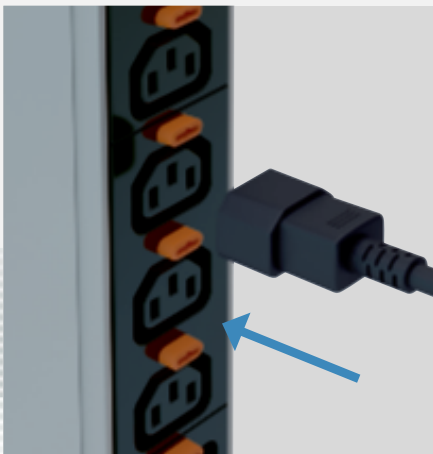
CORD LOCKING SYSTEM

Very easy to identify thanks to the orange buttons next to each outlet



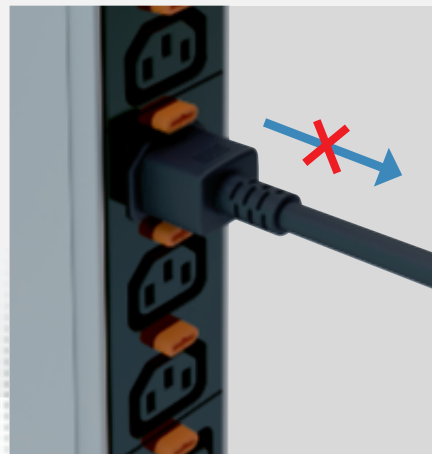


1 CONNECTION ✓



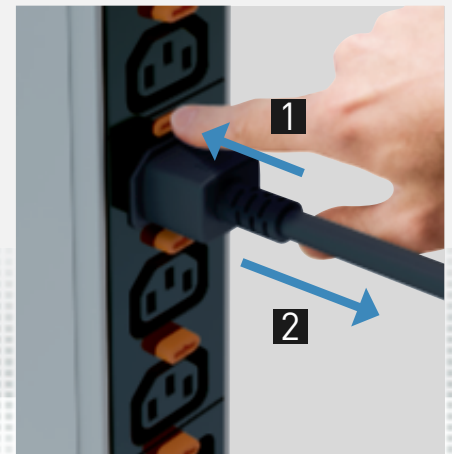
CORD CONNECTION
The cord is connected to the outlet naturally in one smooth action

2 AUTO LOCKING ✓



CORD HELD IN PLACE
Once the power supply cord is connected, it locks automatically and cannot be removed

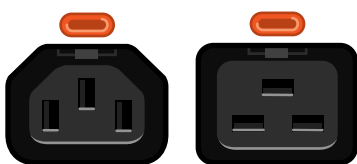
3 UNLOCKING ✓



EASY REMOVAL
Simply pressing the unlock button releases the cord from the outlet

UNIVERSAL SYSTEM

Takes all cords for standard C13 and C19 outlets



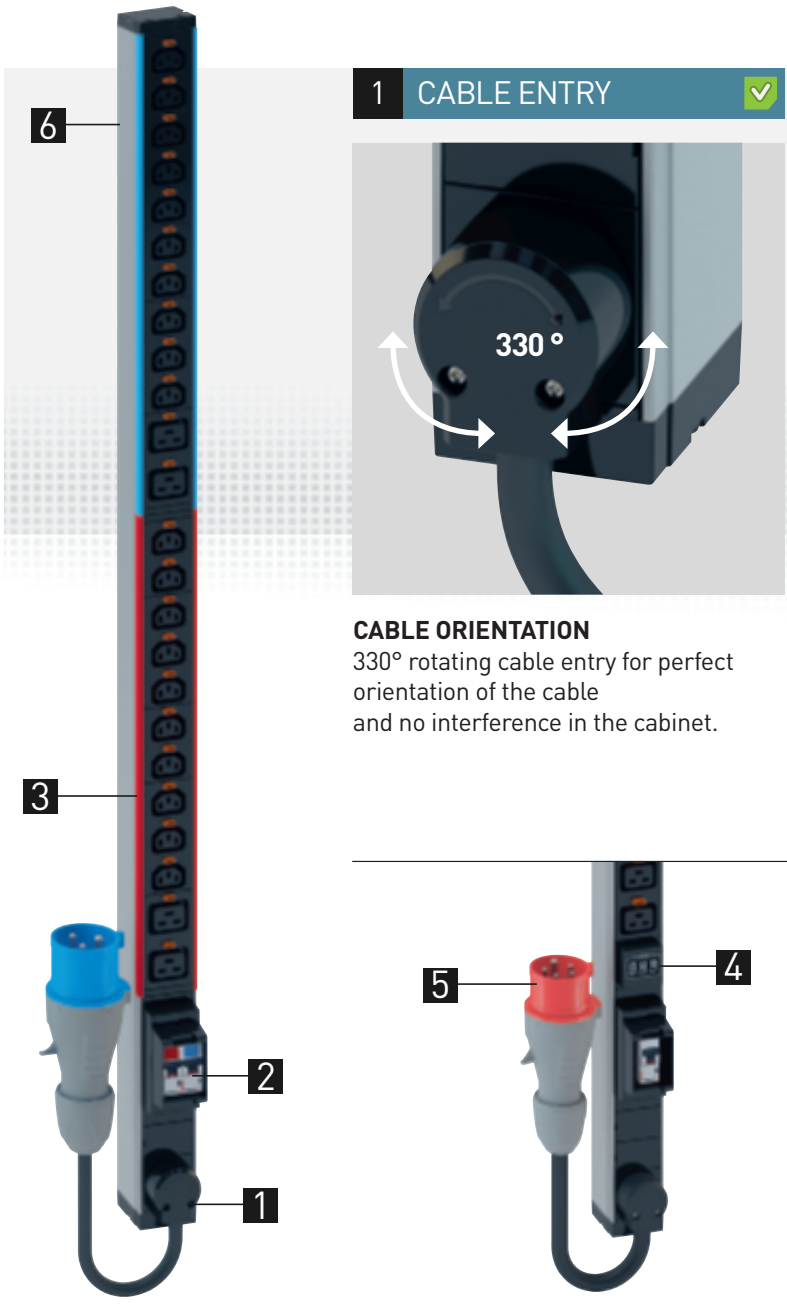
✓ EXCLUSIVE TO LEGRAND

ZERO-U PDUs

INNOVATION & PERFORMANCE

EXCLUSIVE INNOVATIONS

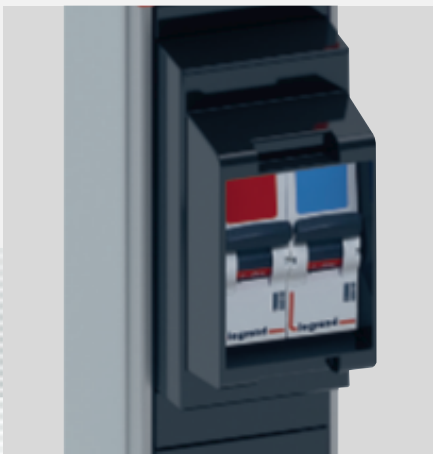
Every detail matters! Legrand's unique and novel innovations, including safety features, simplified setup and integration, and consumption indicators, help ensure optimum performance for the ZERO-U range of PDUs.



VERTICAL
INSTALLATION



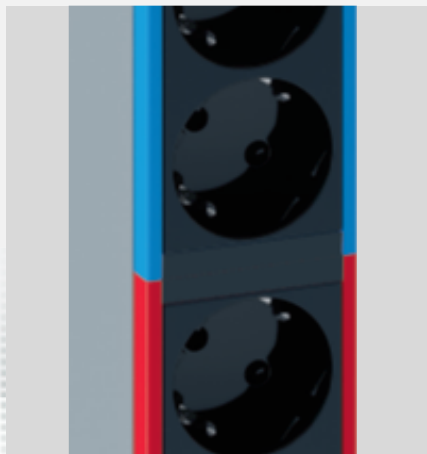
2 MCB HOLDER



ENHANCED PROTECTION

Circuits protected by MCB. Holder with projecting edges to avoid unintended operation (a cover can be added on request).

3 IDENTIFICATION



COLOUR-CODED CIRCUITS

Each circuit is colour-coded, with the colour clearly visible on the front panel and along the edges of a module.

The colour corresponds to the specific MCB protecting the circuit.

4 AMMETER



CONSUMPTION INDICATOR

Consumption is measured to provide better installation management:

- Balancing circuits
- Displaying available capacity
- Power features and overload prevention

5 POWER SUPPLY

There are multiple solutions depending on power supply requirements

16/32 A single-phase

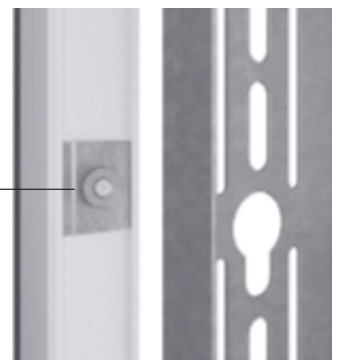
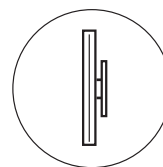


16/32 A three-phase



6 SCREWLESS MOUNTING

ZERO-U PDUs simply clip vertically into slots on the mounting frame without the need for any screws.



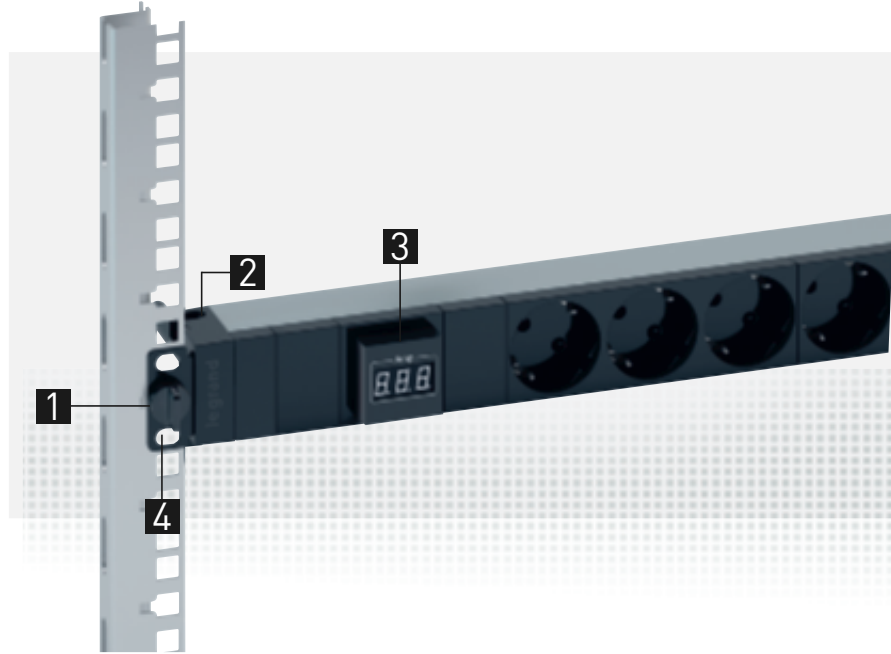
EXCLUSIVITÉ LEGRAND

1U PDUs

INNOVATION & CONVENIENCE

SIMPLE SETUP AND INTEGRATION

The 19" PDUs designed for installation in server and cabling cabinets also incorporate the latest innovations for facilitating integration and maintenance, with clever mounting and operating features.



10" 1U PDUs

Specially designed for local area networks, these PDUs feature the same innovations as the 19" range.

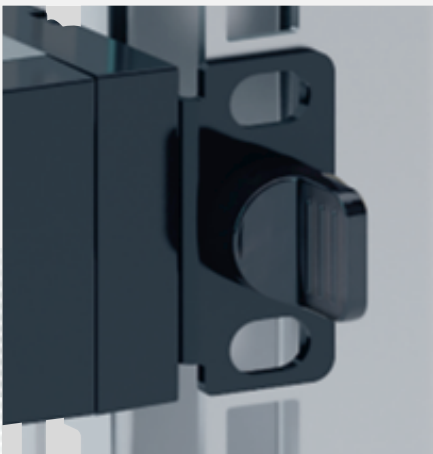
HORIZONTAL
INSTALLATION



HORIZONTAL
OR VERTICAL
INSTALLATION



1 QUICK FIXING ✓



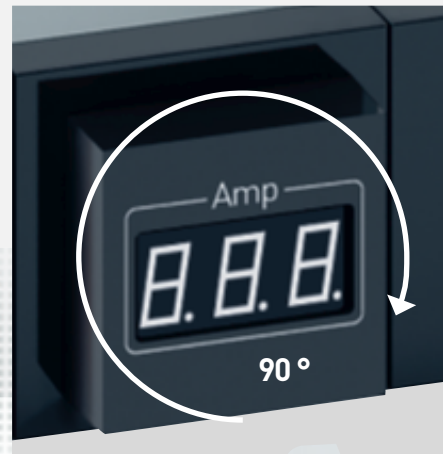
TOOL-FREE INSTALLATION
Quick, tool-free fixing on the 19" uprights. No screws or nuts required.

2 CABLE GUIDE ✓



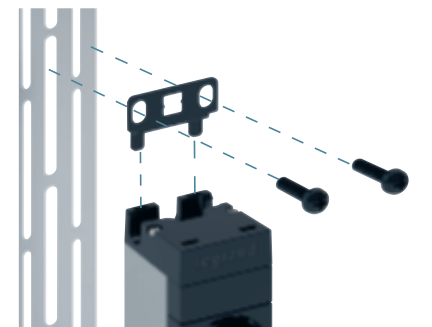
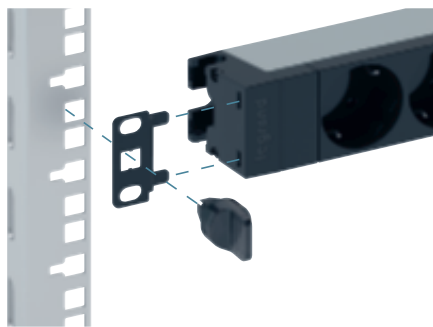
OPTIMIZING SPACE
Cables are held firmly in place by a cable guide.

3 AMMETER ✓



CHANGE OF POSITION
The ammeter can be rotated 90° to ensure easy reading regardless of mounting position (horizontal or vertical).

4 MOUNTING SUPPORTS



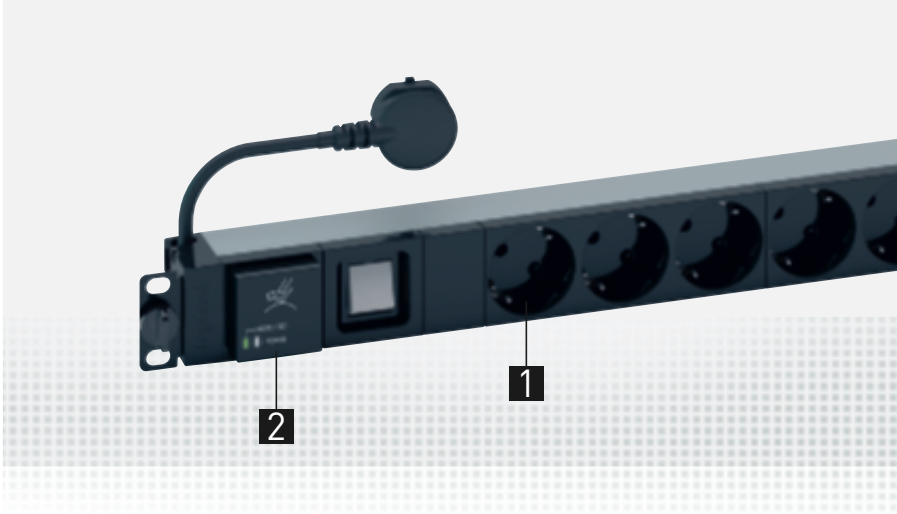
HORIZONTAL OR VERTICAL
Designed for horizontal tool-free mounting, 1U PDUs can also be mounted vertically simply by rotating the mounting brackets. Vertical mounting requires a bolt and nut to affix the PDU firmly to the upright.

✓ EXCLUSIVE TO LEGRAND

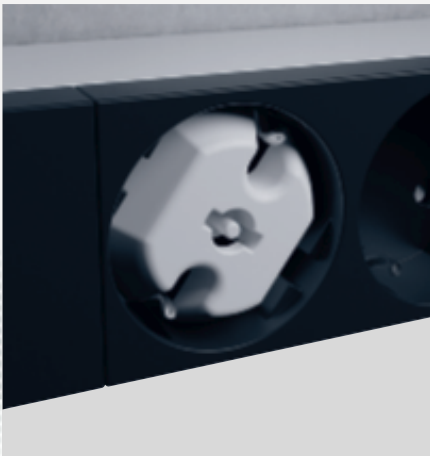
PROTECTION ACCESSORIES

ENHANCED
SAFETY AND
CONTROL

Compatible with all the PDUs in the range, the complementary accessories allow you to control the power supply at the outlets and protect against overvoltages.



1 OUTLET LOCKING CAP ✓



CONTROLLING ACCESS TO THE POWER SUPPLY

Locking caps are used to lock access to a socket. A special key is required to unlock it.

Locking caps available for the following standard socket outlets: C13, C19, German, French-Belgian, British



2 SURGE PROTECTION DEVICE



UNINTERRUPTIBLE PROTECTION

The surge protection module protects equipment against overvoltages and incorporates hot swap technology. It can be used to replace a used module without interrupting the power supply to the other equipment connected to the PDU.

This is an essential accessory for business servers which need continuous protection. The module is equipped with a warning LED which indicates when it needs replacing.

✓ EXCLUSIVE TO LEGRAND

SERVICES

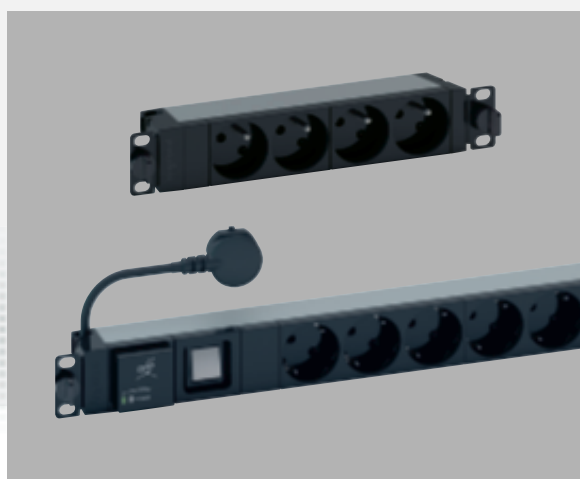
TAILORED TO YOUR NEEDS

OFFERING MODULARITY AND RESPONSIVENESS

Legrand has leveraged its expertise to develop its new range of PDUs designed to function at the heart of your installations. Available in 2 formats - standard and customized configurations - the versatility of our range offers you greater flexibility and responsiveness.



STANDARD CONFIGURATIONS



READY TO USE

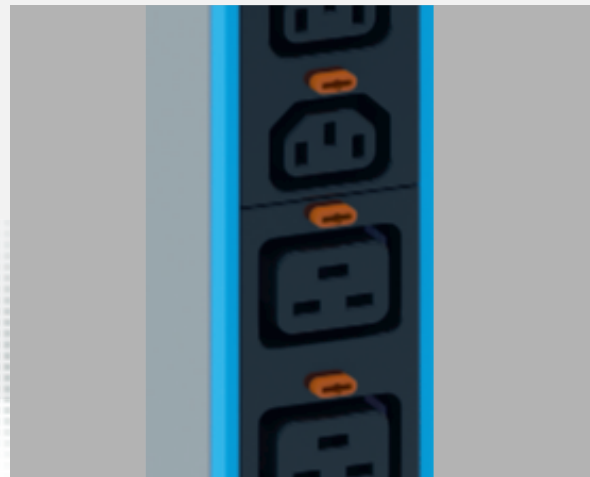
Standard PDU ranges for fixed configurations which meet the most common requirements.

CATALOGUE NUMBERS

Find all the catalogue numbers in the export catalogue or in the e-catalogue available at legrand.com



CUSTOMIZED CONFIGURATIONS - ZERO-U AND 19" 1U PDUs



CHOICE OF FUNCTIONS ON DEMAND

16/32 A power supply - for single-phase or three-phase PDUs

Wide choice of outlet standards:

- German, British, French, C13 and C19

Termination:

- on terminal block
- on fast or C20 connector
- with power supply cord (lengths, sheath and plug types to be selected)

Additional functions:

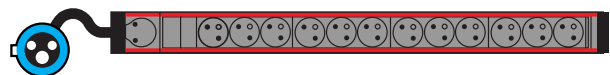
-MCB, RCBO, fuse, surge protector, switch, power indicator, ammeter, colour-coded circuits for source identification

EXAMPLES OF CUSTOMIZED SOLUTIONS

The modular design means we can build PDUs to specific configurations.



19" 1U PDU with 2 French standard 2P+E outlets, 1 C19 outlet and 6 C13 outlets. Powered via a 3 m power supply cord and a C20 plug.



Zero-U PDU with 12 French standard 2P+E outlets. Red colour coding for identification of PDU. Powered through rotating cable entry via 4.5 m cord and a 16 A IEC 60309 plug.

GREATER RESPONSIVENESS FOR ALL YOUR BESPOKE SOLUTIONS



QUOTE WITHIN 24 HRS



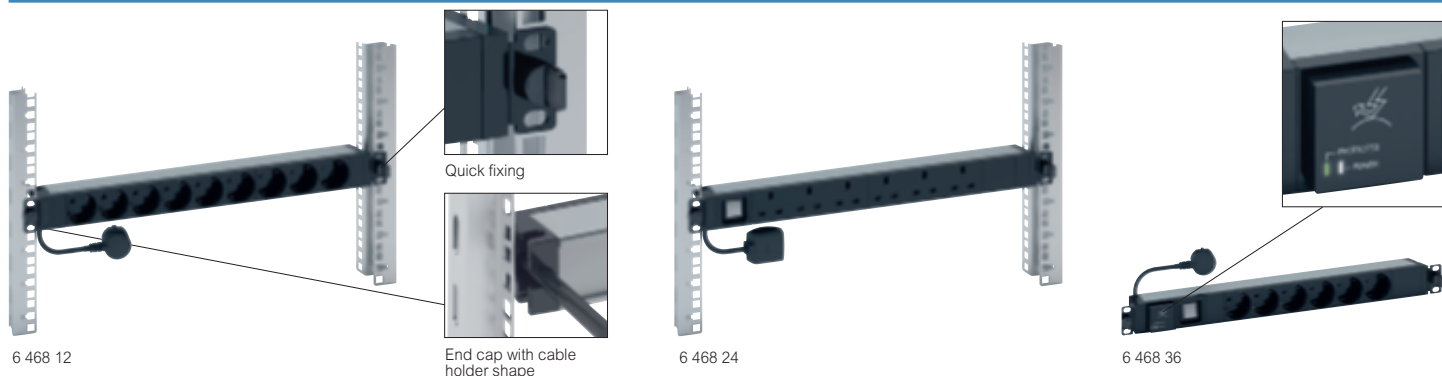
7 DAY TURNAROUND

FROM RECEIPT OF ORDER*

* WHEN ORDERING UP TO 100 PRODUCTS

Energy Distribution

1U Power Distribution Units (PDU)



Technical characteristics **p. 17**

To provide ~ electric power for IT equipments in enclosures. 230 V - 50/60 Hz power supply. 1U aluminium profile. End cap with metallic brackets and cable holder shape. Quick fixing (no screws) on 19" fixing centres. Can also be installed vertically by reverting the brackets (no screws). 2P+E outlets:

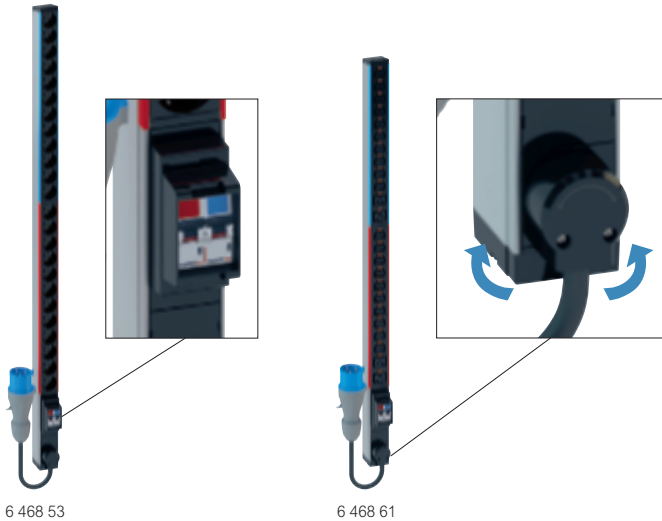
- C13 and C19 standard outlets are equipped with cord locking system to avoid any accidental disconnection. Universal solution compatible with all the cords (C14 plugs for C13 and C20 plugs for C19).
- French, German and British standard outlets are equipped with shutters
- French and German standard outlets are inclined at 55°
- Black modules (outlets and functions)

Pack	Cat.Nos	19" - PDU standard	Pack	Cat.Nos	19" - PDU with protection devices
1	6 468 06	German standard 3 m power supply cord with 16 A 2P+E French/ German plug	1	6 468 31	MCB and RCBO support with projecting edges to avoid accidental breakdown 3 m power supply cord with 16 A 2P+E French/ German plug
1	6 468 12	6 outlets	1	6 468 30	German standard 6 outlets and a 16 A single pole Micro Circuit Breaker
1	6 468 13	British standard 3 m power supply cord with 13 A 2P+E British plug	1	6 468 33	French standard 6 outlets and a 16 A single pole Micro Circuit Breaker
1	6 468 05	8 outlets	1	6 468 33	6 outlets and a 16 A 30 mA Residual-current Circuit Breaker with Overcurrent protection
1	6 468 10	French standard 3 m power supply cord with 16 A 2P+E French/ German plug			19" - PDU with surge protection
1	6 468 11	6 outlets			Protect against mains overvoltages while keeping outlets energised
1	6 468 09	9 outlets			With light indicators:
1	6 468 07	9 tamperproof red outlets	1	6 468 36	- one LED (white) gives information whether the PDU is supplied with power or not
		IEC 60320 standard	1	6 468 35	- one LED (green) indicates when surge protection module is efficient or must be replaced
1	6 468 14	Connection on terminal block (except Cat.No 6 468 15)			Hotswappable surge protection module Cat.No 6 468 97 (replacement keeping the PDU and its outlets powered on)
1	6 468 15	10 C13 outlets with cord locking system			With switch
1	6 468 09	12 C13 outlets with cord locking system			3 m power supply cord with 16 A 2P+E French/ German plug
1	6 468 09	3 m power supply cord with 16 A IEC 60309 2P+E			6 outlets - German standard
1	6 468 07	6 C13 outlets + 2 C19 outlets with cord locking system			6 outlets - French standard
1	6 468 07	6 C19 outlets with cord locking system			19" - PDU with ammeter
		10" - PDU standard			Measure consumption to provide better installation management:
1	6 468 01	1 m power supply cord 2P+E French/German plug			balancing circuits, displaying available capacity, preventing overloads and power failures
1	6 468 00	4 x 2P+E outlets German standard			Measure total PDU current Rotating display to ensure a perfect reading whatever the PDU mounting direction is (horizontal, vertical with top or bottom power supply input)
		French standard			German standard
					3 m power supply cord with 16 A 2P+E French/ German plug
		19" - PDU with power indicator or luminous switch			6 outlets
		LED indicator gives information whether the PDU is supplied with power or not			French standard
		LED indicator switch powers on/off the total PDU			3 m power supply cord with 2P+E French/German plug
1	6 468 21	German standard 3 m power supply cord with 16 A 2P+E French/ German plug	1	6 468 41	6 outlets
1	6 468 23	9 outlets and 1 power indicator	1	6 468 40	IEC 60320 standard
1	6 468 24	8 outlets and 1 luminous switch			With integrated universal plug locking system Connection on terminal block
1	6 468 24	British standard 3 m power supply cord with 13 A 2P+E British plug	1	6 468 43	6 C13 outlets with cord locking system
1	6 468 20	6 outlets and 1 luminous switch	1	6 468 45	6 C13 outlets + 1 C19 outlet with cord locking system
1	6 468 20	French standard 3 m power supply cord with 16 A 2P+E French/ German plug	1	6 468 44	6 C19 outlets with cord locking system
1	6 468 22	9 outlets and 1 power indicator			
1	6 468 22	8 outlets and 1 luminous switch			

Cord locking system **p. 17**

Energy Distribution

single phase Zero-U Power Distribution Units (PDU)



Technical characteristics p. 17-19

To provide ~ electric power for IT equipments in 19" enclosures
 Single phase 230 V - 50/60 Hz power supply
 Zero-U PDU for vertical mounting in the cabinet (see p. 18-19 for dimensions)
 PDU with 2 circuits protected by 16 A uni+neutral MCB in a support with projecting edges to avoid accidental breakdown
 Each circuit is identified by color coding
 The total number of outlets is distributed equally between the 2 circuits
 330° rotating cable input for a perfect orientation of the cable and no interference in the cabinet
 2P+E outlets:
 - C13 and C19 standard outlets are equipped with cord locking system to avoid any accidental disconnection. Universal solution compatible with all the cords (C14 plugs for C13 and C20 plugs for C19)
 - French, German and British standard outlets are equipped with shutters
 - French and German standard outlets are inclined at 55°
 Delivered with 2 sets of metallic mounting brackets (see details p. 18-19):
 - Button brackets. For quick fixing and variable pitch
 - Standard brackets. For screw fixing
 Black modules (outlets and functions). Aluminium profile

Pack	Cat.Nos	Standard
1	6 468 52	German standard 24 outlets Connection on terminal block up to 6 mm ²
1	6 468 53	24 outlets 3 m power supply cord with IEC 60309 32 A 2P+E plug
1	6 468 54	British standard 24 outlets Connection on terminal block up to 6 mm ²
1	6 468 50	French standard 24 outlets Connection on terminal block up to 6 mm ²
1	6 468 51	24 outlets 3 m power supply cord with IEC 60309 32 A 2P+E plug
1	6 468 56	IEC 60320 standard 24 C13 outlets with cord locking system Connection on terminal block up to 6 mm ²
1	6 468 57	24 C13 outlets with cord locking system 3 m power supply cord with IEC 60309 32 A 2P+E plug
1	6 468 60	20 C13 outlets + 4 C19 outlets with cord locking system. Connection on terminal block up to 6 mm ²
1	6 468 61	20 C13 outlets + 4 C19 outlets with cord locking system. 3 m power supply cord with IEC 60309 32 A 2P+E plug
1	6 468 65	With ammeter Measure consumption to provide better installation management: balancing circuits, displaying available capacity, preventing overloads and power failures 1 ammeter per circuit Rotating display to ensure a perfect reading whatever the PDU mounting direction is (horizontal, vertical with top or bottom power supply input) IEC 60320 standard 20 C13 outlets + 4 C19 outlets with cord locking system. Connection on terminal block up to 6 mm ²

Energy Distribution

three phase Zero-U Power Distribution Units (PDU)



Technical characteristics p. 17-19

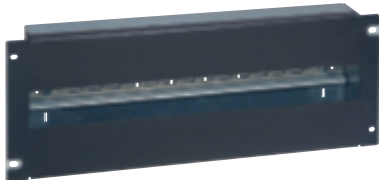
To provide ~ electric power for IT equipments in 19" enclosures
 Three phase 380 V - 50/60 Hz power supply
 Zero-U PDU for vertical mounting in the cabinet (see p. 18-19 for dimensions)
 Each circuit is protected by 16 A single pole MCB in a support with projecting edges to avoid accidental breakdown
 1 circuit per phase, each with 6 IEC 60320 C13 outlets and 2 IEC 60320 C19 outlets
 330° rotating cable input for a perfect orientation of the cable and no interference in the cabinet
 C13 and C19 standard outlets are equipped with cord locking system to avoid any accidental disconnection. Universal solution compatible with all the cords (C14 plugs for C13 and C20 plugs for C19)
 Delivered with 2 sets of metallic mounting brackets:
 - Button brackets. For quick fixing and variable pitch
 - Standard brackets. For screw fixing
 Black modules (outlets and functions)
 Aluminium profile

Pack	Cat.Nos	Standard
1	6 468 70	IEC 60320 standard 18 C13 outlets + 6 C19 outlets with cord locking system. 3 m power supply cord with IEC 60309 32 A 3P+N+E plug
1	6 468 75	With ammeter Measure consumption to provide better installation management: balancing circuits, displaying available capacity, preventing overloads and power failures 1 ammeter per circuit Rotating display to ensure a perfect reading whatever the PDU mounting direction is (horizontal, vertical with top or bottom power supply input) IEC 60320 standard 18 C13 outlets + 6 C19 outlets with cord locking system. 3 m power supply cord with IEC 60309 32 A 3P+N+E plug

Cord locking system p. 17



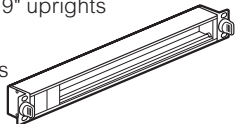
6 468 90



0 465 46 + 0 465 47

Technical characteristics p. 17-19

Pack	Cat.Nos	PDU to be equipped
1	6 468 99	For self assembly with Mosaic wiring device modules Quick fixing (no screws) on 19" uprights Aluminium profile PDU 19" Capacity: 16 Mosaic modules
1	6 468 98	PDU 10" Capacity: 8 Mosaic modules

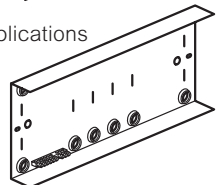
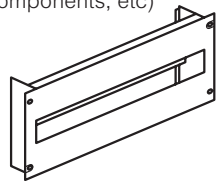


Pack	Cat.Nos	PDU accessories
1	6 468 90	Locking caps To block the use of an outlet. A key is necessary to remove the cap and free the access Light grey Set of 6 locking caps for French and German standard outlet + 1 key
1	6 468 92	Set of 6 locking caps for British standard outlet + 1 key
1	6 468 94	Set of 6 locking caps for C13 standard outlet + 1 key
1	6 468 95	Set of 6 locking caps for C19 standard outlet + 1 key

Pack	Cat.Nos	Surge protection module
1	6 468 97	To replace used module on PDU With light indicators: - one LED (white) gives information whether the PDU is supplied with power or not - one LED (green) indicates when surge protection module is efficient or must be replaced Hotswappable: replacement keeping the PDU and its outlets powered on Surge protection replacement module



Pack	Cat.Nos	Multi-applications DIN rail
1	0 465 46	For mounting modular devices (circuit breakers, Legrand multimedia network components, etc) Capacity: 24 modules Height 4 U Screw fixing on 19" uprights ⁽¹⁾ DIN profile rail with front panel Supplied with blanking plates 24 modules Black RAL 9005
1	0 465 47	Rear cover To be used for high current applications (greater than 50 V) Used with Cat.No 0 465 46 Ensures IP XXB Supplied with terminal block (8 + 1 connections)



CHOICE OF FUNCTIONS

16/32 A power supply - for single phase or three phase PDU

Wide choice of outlets standards

- German
- British
- French
- C13
- C19

Termination:

- on terminal block
- on fast or C20 connector
- with power supply cord (lengths, sheath types and plug types to be selected)

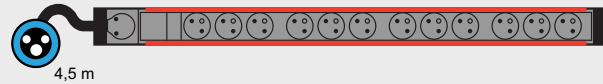
Additional functions:

- MCB, RCBO, fuse, surge protector
- switch
- power indicator
- ammeter
- identification of sources or circuits by color coding

EXAMPLES OF CUSTOMIZED SOLUTIONS



19" 1U PDU with 2 French standard 2P+E outlets, 1 C19 outlet and 6 C13 outlets. Powered with a 3 m power supply cord and a C20 plug



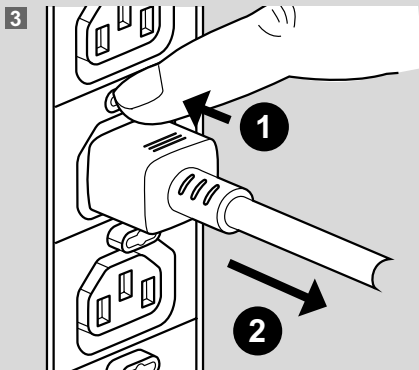
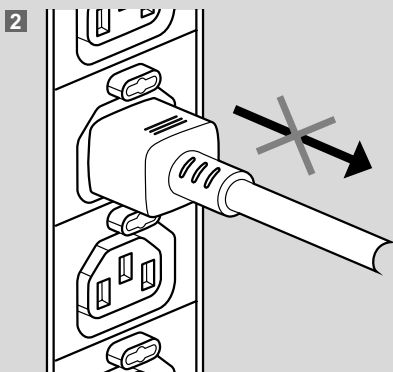
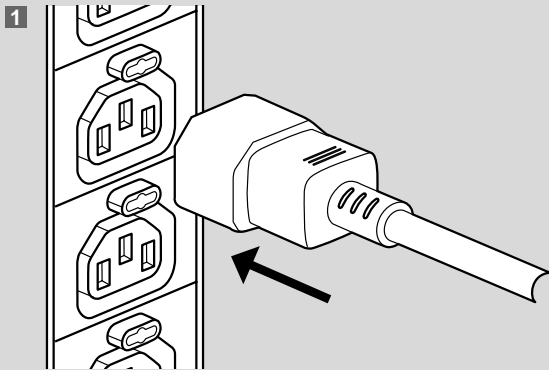
Zero-U PDU with 12 French standard 2P+E outlets. Red color coding for identification of PDU. Powered through rotating cable input via 4.5 m cord and a 16 A IEC 60309 plug

Request a quotation from our technical team

Energy distribution

cord locking system

■ Cord locking system

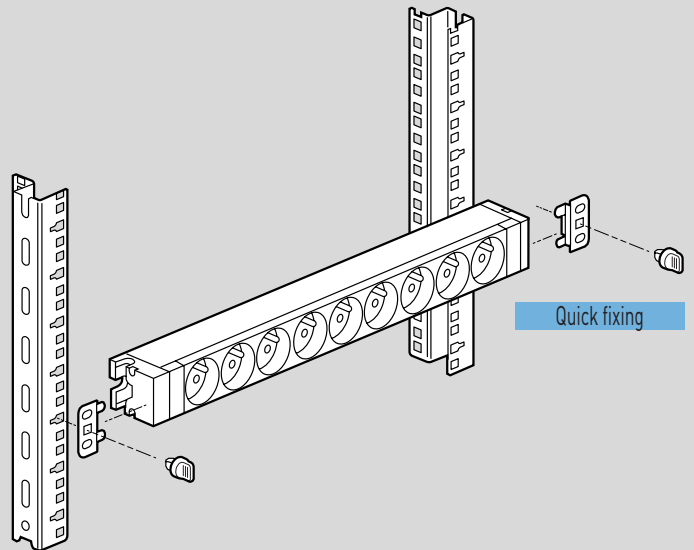


Energy distribution

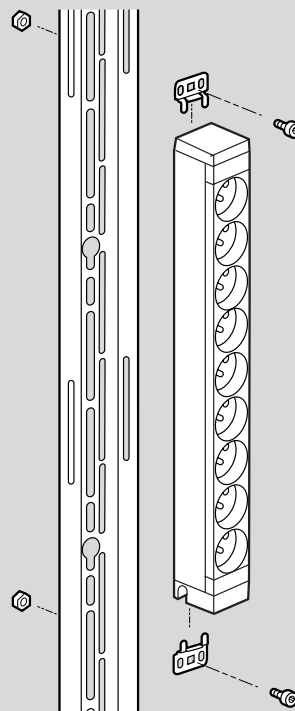
19" 1U PDU mounting

■ Horizontal mounting 19" cabinets

Can be mounted in all 19" cabinets



■ Vertical mounting in freestanding cabinets



Energy distribution

zero-U PDU

Zero-U PDU configurations (p. 15)

6 468 50

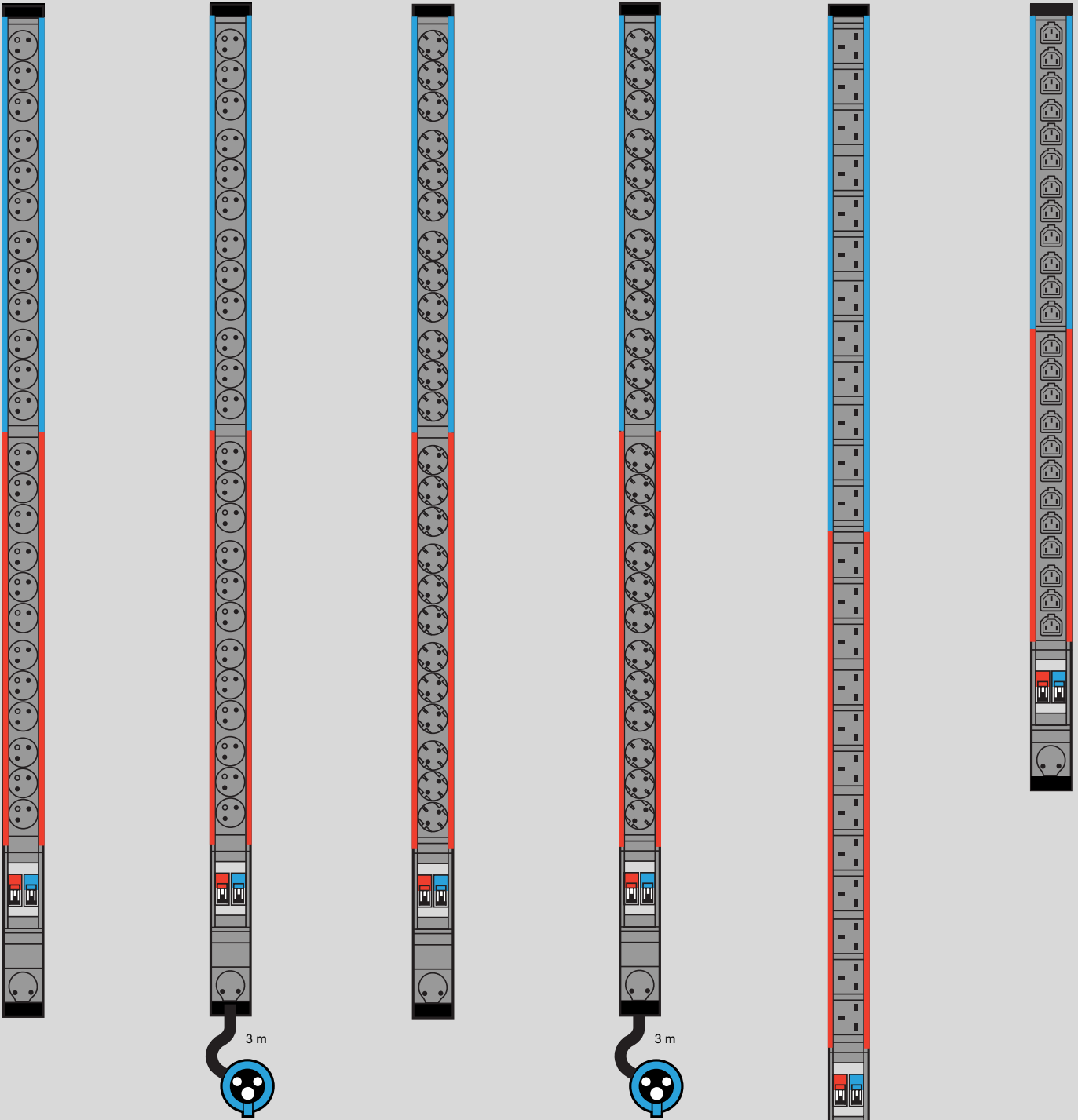
6 468 51

6 468 52

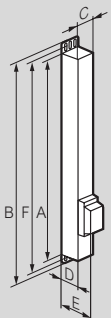
6 468 53

6 468 54

6 468 56



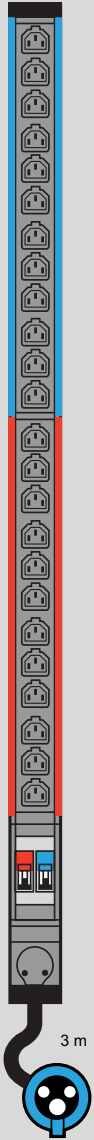
Zero-U PDU sizes (mm)



Cat. Nos	Height		Width	Depth			Fixing centres (mini-maxi)
	A	B ⁽¹⁾		D	E ⁽²⁾	F ⁽¹⁾	
6 468 50	1250	1294	52	52.5	87	1262-1292	
6 468 51	1250	1294	52	52.5	87	1262-1292	
6 468 52	1250	1294	52	52.5	87	1262-1292	
6 468 53	1250	1294	52	52.5	87	1262-1292	
6 468 54	1466	1510	52	52.5	87	1478-1508	
6 468 56	1034	1078	52	52.5	87	1046-1076	

1 : Overall height with standard brackets (screw fixing)
 2 : Overall depth at the circuit breaker slot

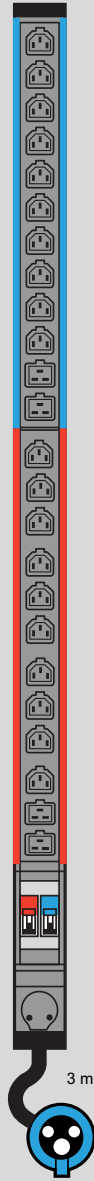
6 468 57



6 468 60



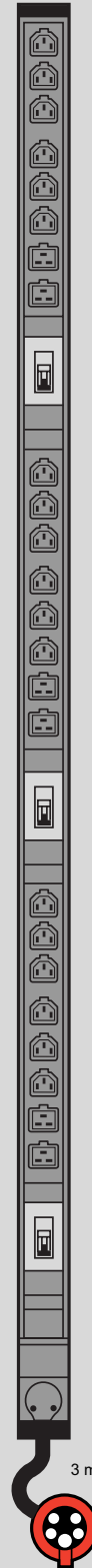
6 468 61



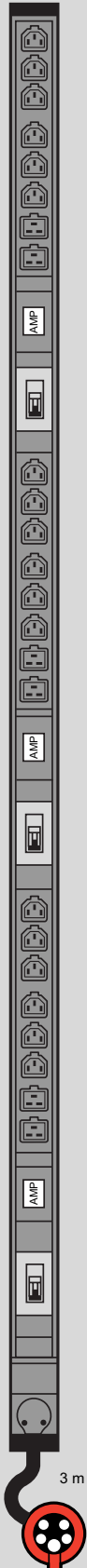
6 468 65



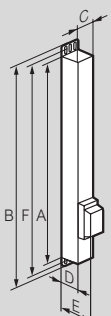
6 468 70



6 468 75



Zero-U PDU sizes (mm)



Cat.Nos	Height		Width	Depth			Fixing centres (mini-maxi)
	A	B ⁽¹⁾		D	E ⁽²⁾	F ⁽¹⁾	
6 468 57	1034	1078	52	52.5	87	1046-1076	
6 468 60	1070	1114	52	52.5	87	1082-1112	
6 468 61	1070	1114	52	52.5	87	1082-1112	
6 468 65	1160	1204	52	52.5	87	1172-1202	
6 468 70	1340	1384	52	52.5	87	1352-1382	
6 468 75	1475	1519	52	52.5	87	1487-1517	

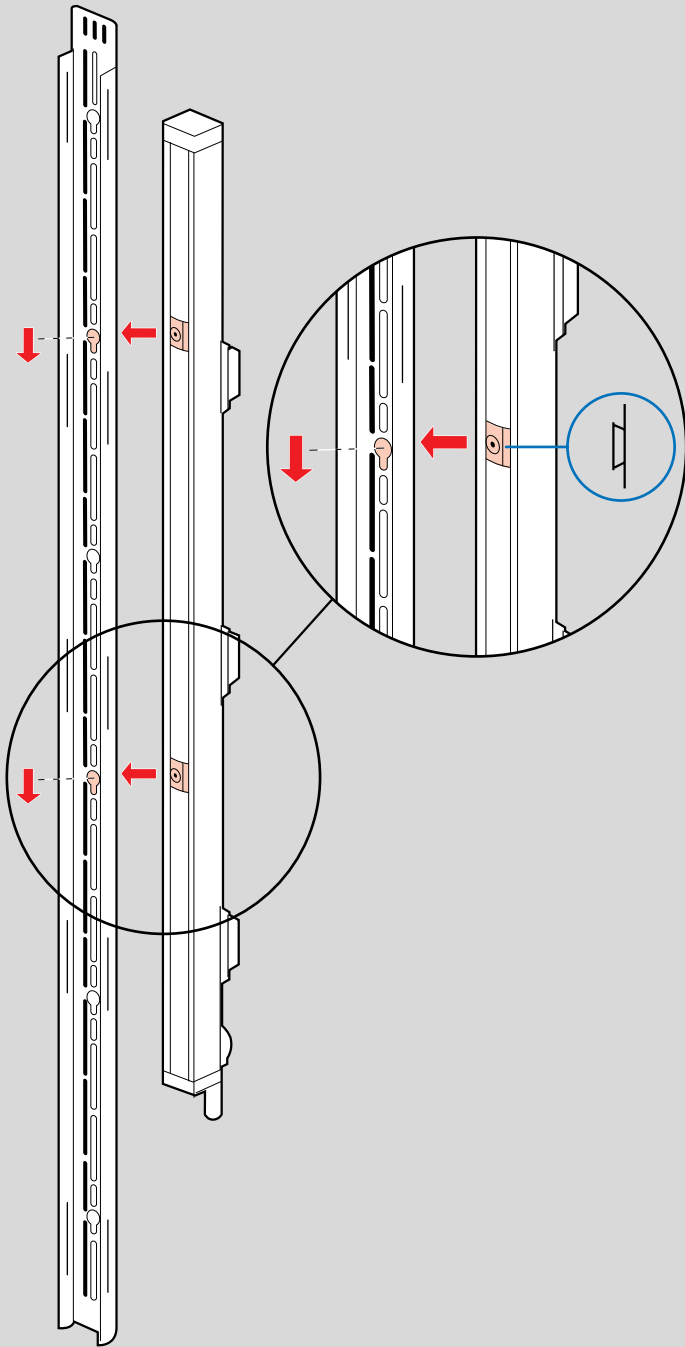
1 : Overall height with standard brackets (screw fixing)
 2 : Overall depth at the circuit breaker slot

Energy distribution

zero-U PDU mounting in cabinets

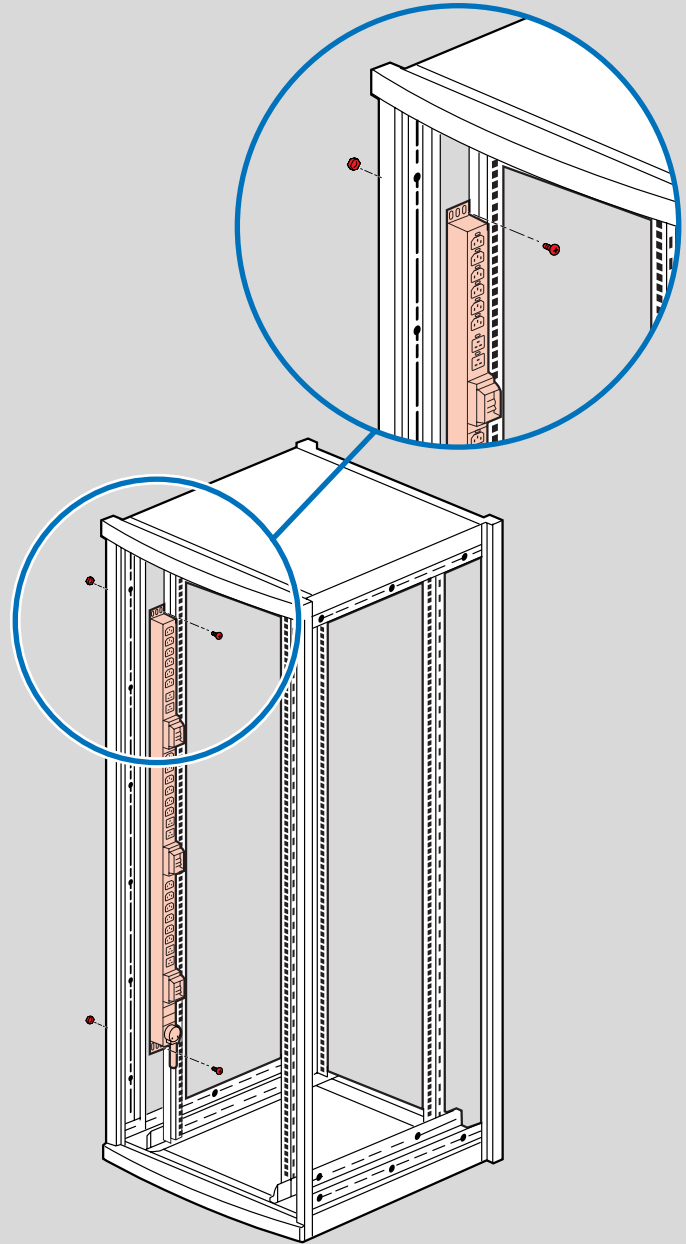
■ Solution with button brackets

Quick fixing without screws



■ Solution with standard brackets

Screw fixing



Catalogue number index

Cat.Nos	Page N°	Pack
0 465 00		
0 465 46	16	1
47	-	1
6 468 00		
6 468 00	14	1
01	-	1
05	-	1
06	-	1
07	-	1
09	-	1
10	-	1

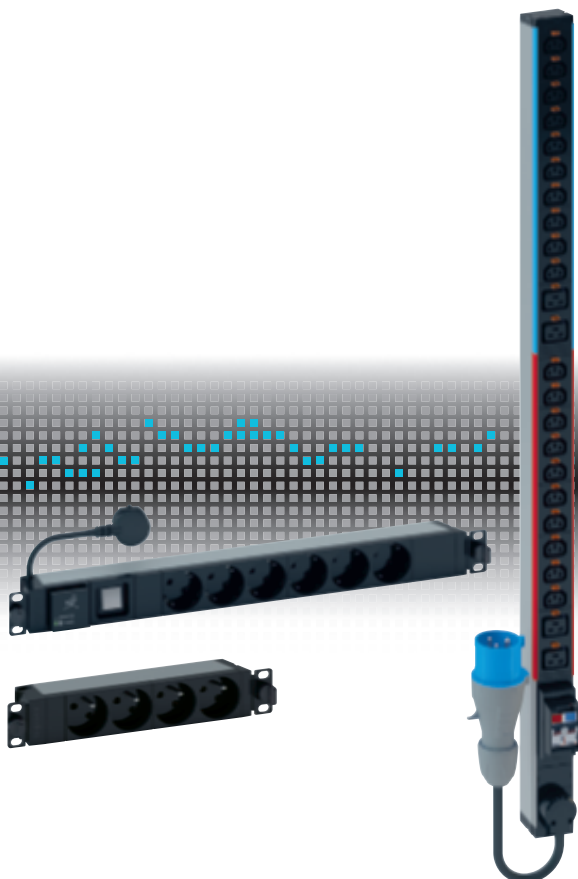
Cat.Nos	Page N°	Pack
6 468 11	14	1
12	-	1
13	-	1
14	-	1
15	-	1
20	-	1
21	-	1
22	-	1
23	-	1
24	-	1
30	-	1
31	-	1
33	-	1

Cat.Nos	Page N°	Pack
6 468 35	14	1
36	-	1
40	-	1
41	-	1
43	-	1
44	-	1
45	-	1
50	15	1
51	-	1
52	-	1
53	-	1
54	-	1
56	-	1

Cat.Nos	Page N°	Pack
6 468 57	15	1
60	-	1
61	-	1
65	-	1
70	-	1
75	-	1
90	16	1
92	-	1
94	-	1
95	-	1
97	-	1
98	-	1
99	-	1

FIND

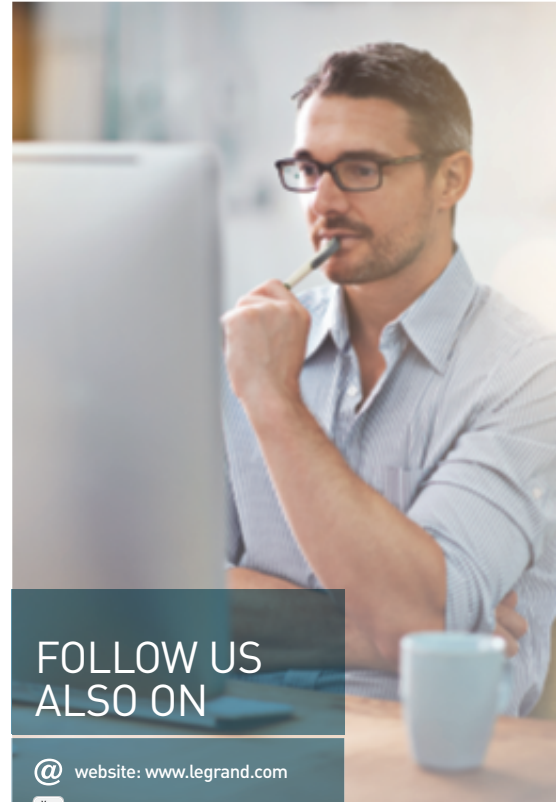
ALL THE PDU CATALOGUE NUMBERS
IN THE EXPORT CATALOGUE
AND E-CATALOGUE



**CORD
LOCKING
SYSTEM**



ALSO INSIDE,
FIND EXCLUSIVE
LEGRAND
INNOVATIONS
IDENTIFIED
BY THE FOLLOWING
SYMBOLS



FOLLOW US ALSO ON

@ website: www.legrand.com

 www.youtube.com/legrand

 www.twitter.com/legrand



World Headquarters
and International Department
87045 Limoges Cedex - France
Tel. : + 33 (0) 5 55 06 87 87
Fax : + 33 (0) 5 55 06 74 55